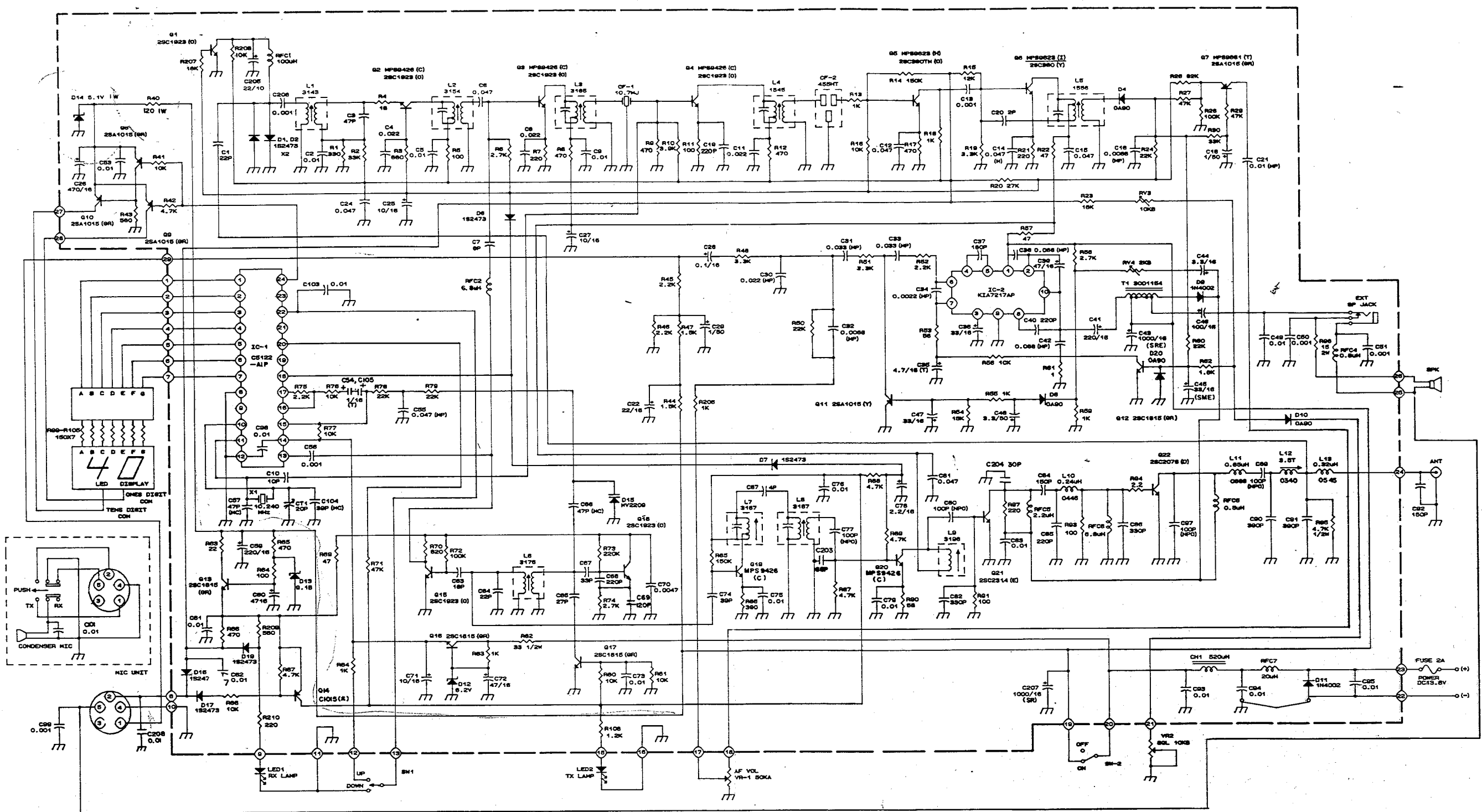


Schematic Diagram

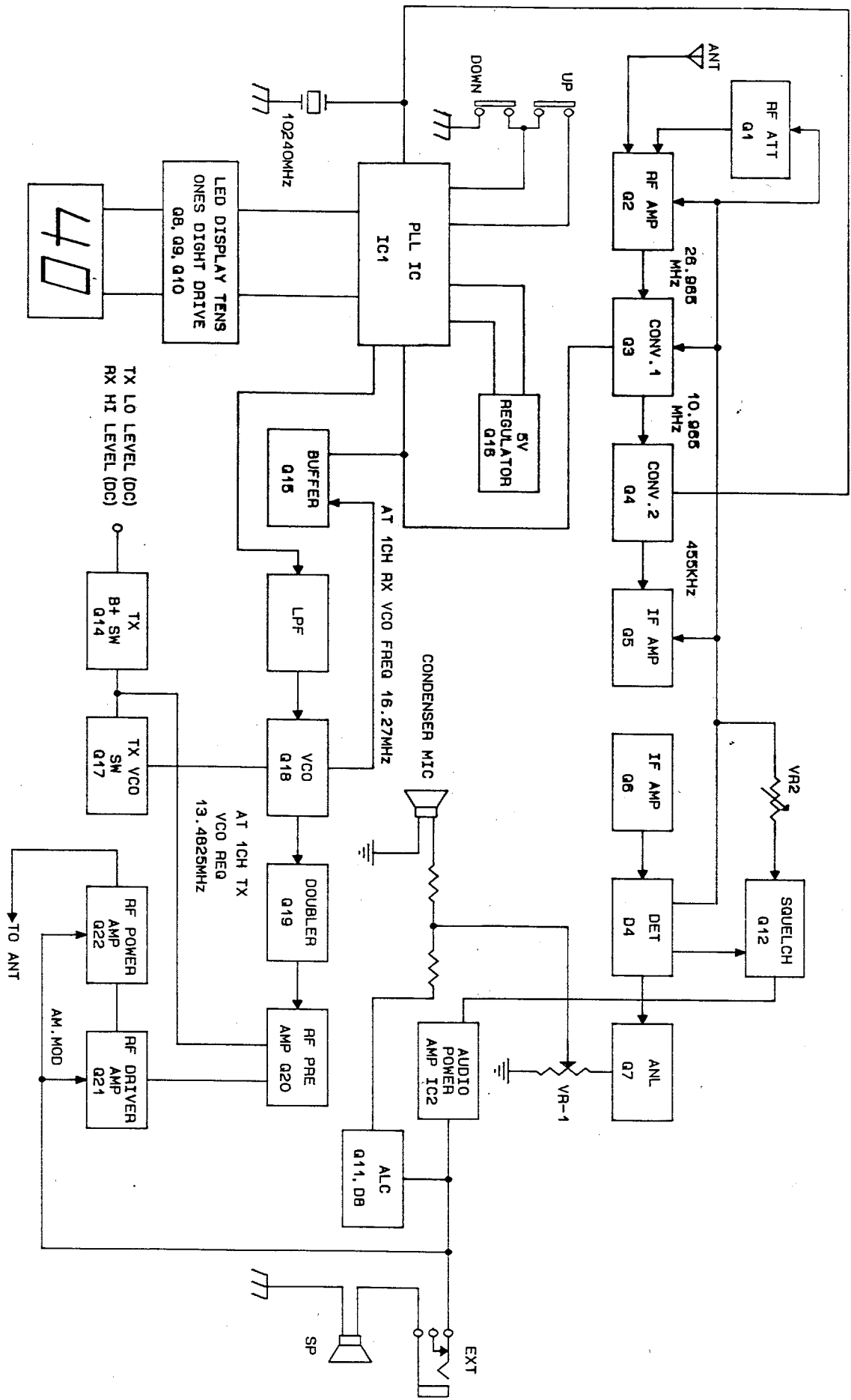


13

10 PLUS

13

Block Diagram



Voltage Chart

Conditions Measured on 19CH
NO Signal
NO Modulation
(unit: Volt)

1. Transistor

| TR NO. | | | C | E | TR NO. | | B | C | E | TR NO. | | B | C | E |
|--------|----|------|------|------|--------|----|------|------|-----|--------|----|-----|------|-----|
| Q1 | RX | 0.7 | 0.13 | 0 | Q9 | RX | 1.2 | 5.1 | 5.1 | Q17 | RX | 0 | 0.5 | 0 |
| | TX | 0.35 | 0 | 0 | | TX | 1.2 | 5.1 | 5.1 | | TX | 0.7 | 0 | 0 |
| Q2 | RX | 1.45 | 5.4 | 0.7 | Q10 | RX | 1.0 | 2.0 | 5.1 | Q18 | RX | 4.4 | 8.6 | 3.8 |
| | TX | 0.35 | 0.8 | 0.05 | | TX | 1.5 | 5.1 | 5.1 | | TX | 6.8 | 8.6 | 4.2 |
| Q3 | RX | 1.85 | 13.0 | 0.65 | Q11 | RX | 1.6 | 0 | 0 | Q19 | RX | 0 | 0 | 0 |
| | TX | 0.35 | 13.0 | 0 | | TX | 0.15 | 0 | 0 | | TX | 2.2 | 9.0 | 1.5 |
| Q4 | RX | 0.5 | 5.2 | 0.05 | Q12 | L | 0.19 | 3.5 | 0 | Q20 | SQ | 0 | 13.8 | 0 |
| | TX | 0 | 1.0 | 0 | | H | 0.65 | 0 | 0 | | TX | 0 | 13.5 | 1.2 |
| Q5 | RX | 1.5 | 3.0 | 0.9 | Q13 | TX | 0.07 | 3.1 | 0 | Q21 | RX | 0 | 13.8 | 0 |
| | TX | 0.3 | 0.8 | 0.15 | | RX | 10 | 13.8 | 8.6 | | TX | 1.7 | 15 | 0 |
| Q6 | SQ | 1.1 | 13.4 | 0.4 | Q14 | TX | 10.0 | 13 | 9.5 | Q22 | RX | 0 | 13.8 | 0 |
| | H | 0.5 | 13.5 | 0 | | RX | 8.6 | 0 | 8.6 | | TX | 4.2 | 17 | 0 |
| Q7 | L | 8.9 | 0 | 8.9 | Q15 | TX | 8.4 | 9.3 | 9.3 | | | | | |
| | TX | 0.07 | 0 | 0.12 | | RX | 0.8 | 2.4 | 0 | | | | | |
| Q8 | RX | 1.2 | 1.0 | 5.1 | Q16 | TX | 0.8 | 2.4 | 0 | | | | | |
| | TX | 1.2 | 1.0 | 5.1 | | RX | 6.5 | 13.5 | 5.8 | | | | | |
| | | | | | | TX | 6.4 | 13.4 | 6.0 | | | | | |

2. Intergrated Circuit

N.C = Non Connection

| IC NO. | Pin | RX | TX | IC NO. | Pin | RX | TX | IC NO. | Pin | RX | TX |
|--------|-----|-----|-----|--------|-----|-----|-----|--------|-----|-------|-------|
| IC 1 | 1 | 5.7 | 5.7 | | 13 | 2.2 | 2.2 | IC 2 | 1 | 13.80 | 13.50 |
| | 2 | 5.7 | 5.7 | | 14 | 5.8 | 5.8 | | 2 | 12.60 | 12.28 |
| | 3 | 5.7 | 5.7 | | 15 | 2.7 | 1.4 | | 3 | 3.90 | 3.90 |
| | 4 | 5.7 | 5.7 | | 16 | 3.0 | 3.0 | | 4 | 8.15 | 8.02 |
| | 5 | 5.7 | 5.7 | | 17 | 3.0 | 3.0 | | 5 | 1.51 | 1.51 |
| | 6 | 5.7 | 5.7 | | 18 | 5.8 | 5.8 | | 6 | 3.38 | 3.30 |
| | 7 | 5.7 | 5.7 | | 19 | N.C | N.C | | 7 | 3.40 | 3.33 |
| | 8 | 0 | 0 | | 20 | 0 | 5.8 | | 8 | 1.28 | 1.27 |
| | 9 | N.C | N.C | | 21 | N.C | N.C | | 9 | 0 | 0 |
| | 10 | 2.9 | 2.9 | | 22 | 2.8 | 2.8 | | 10 | 6.86 | 6.72 |
| | 11 | 2.2 | 2.2 | | 23 | N.C | N.C | | | | |
| | 12 | 0 | 0 | | 24 | 5.7 | 5.7 | | | | |