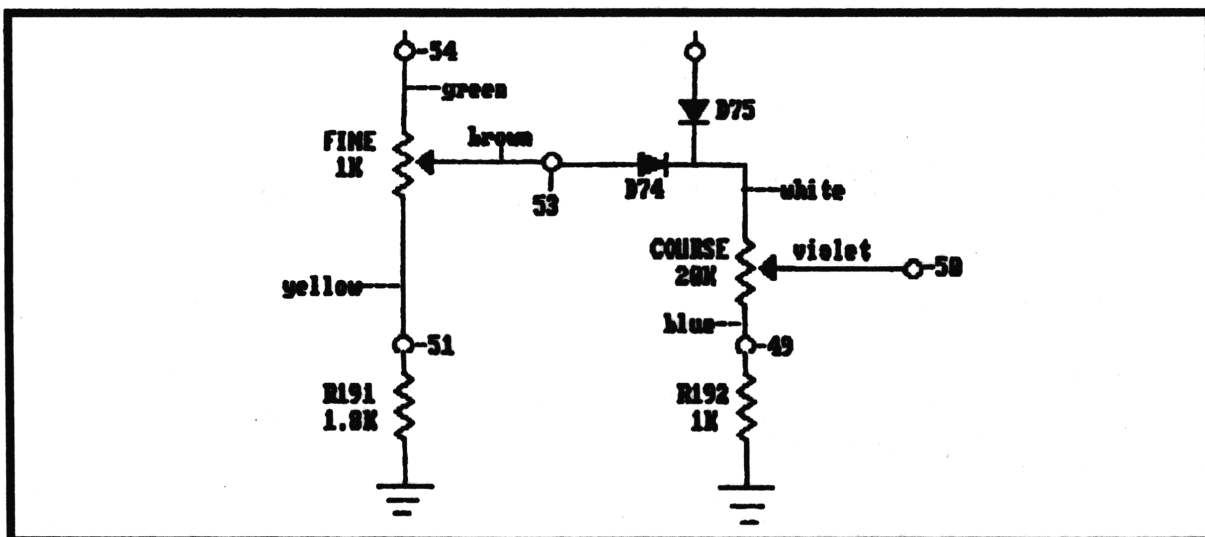


SUPERSTAR 3900 CLARIFIER MOD

● RAY'S RADIO

- (1) Remove D75. (use board layout Vol. 22 Pg. 31)
- (2) Move green wire from spot 54 to an 9 volt. source. (spot 14 or 41)
- (3) Align synthesizer. (Vol. 22 Pg. 28)
- (4) The fine clarifier will now shift on transmit.



FIGURE# 15.....SUPERSTAR 3900 CLARIFIER MOD

Super Star 3900 + 10 KHZ Frequency Shift.

● Pat Vizenor

- (1) Remove J49 & replace with 4.7k res.
- (2) Use a SPST Switch wire the center contact to a good 8V source. (3) Wire the top contact to pin 9 of 1C6.

Clarifer fine slide for super star 3900

- (1) Remove D75 located near front of radio.
- (2) Locate Green wire on fine tune portion of clarifier pot. Remove at PCB resolder to 8VDC (front edge of PCB).

Ranger AR 3500 Permanent battery back up

(3) Locate Yellow wire on fine tune portion of Clarifier POT. Remove at PCB. Resolder to good board ground.

Ranger AR 3500 Permanent battery back up

● **Pat Vizenor**

Parts needed

- (1) 1N4001 Diode (or equivalent).
- (2) 1 AC Adapter (Radio Shack Cat. No. 273-1552)
- (3) Negative wire to Board Ground positive wire the Anode of the 1N4001 Diode connect Cathode to point "E" as indicated

Super Star 3900 28.300-28.500

● **TERRY SHELLY**

Bit Adder IC7 MC14008BCP

Switch between pins 13 and 12 will give 28.300 to 28.500 on high "D" band, set frequencies to slide ahead to get RC Channels or use 10K jump in volume 22. Radio is broad banded and very little tuning is necessary.

CONVERTING THE UNIDEN PRO 810E WITH THE D.S.B. HF CONVERTER BOARD

● **MARK WASSERMAN**

- (1) Remove C67 (the unmarked cap located between L38 and the PLL chip)
- (2) Replace D19 (located lower left side of L130 with super slide diode.
- (3) Connect red wire of D.S.B. to pin 11 of PLL chip.
- (4) Connect black wire to ground.
- (5) Connect blue wire to the side of C67 going to pin 10 of PLL chip.
- (6) Connect yellow wire to the side of C67 going to L38.