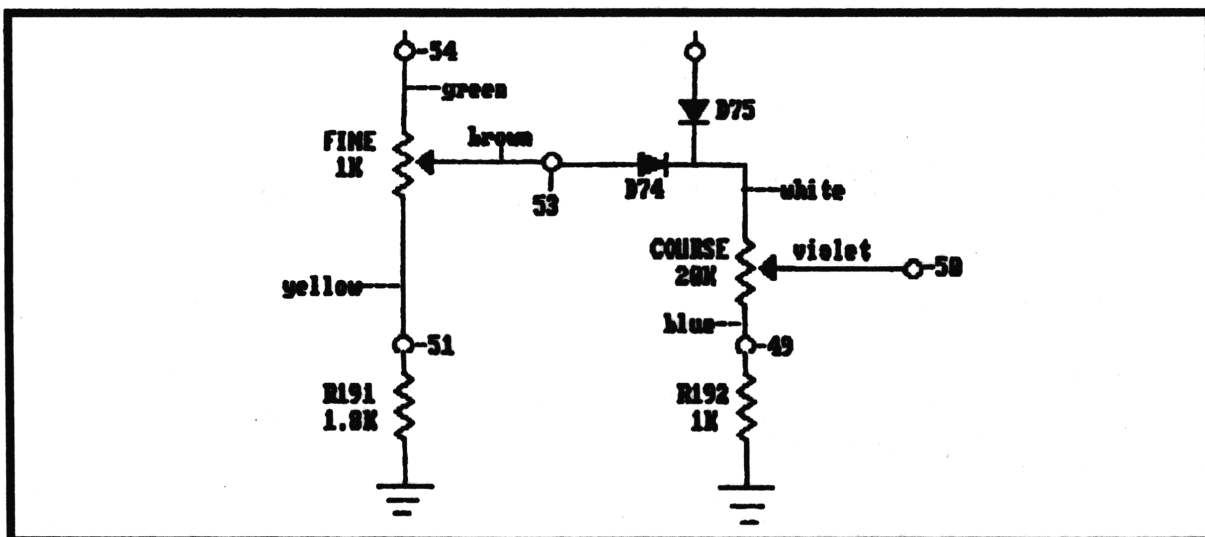


SUPERSTAR 3900 CLARIFIER MOD

● RAY'S RADIO

- (1) Remove D75. (use board layout Vol. 22 Pg. 31)
- (2) Move green wire from spot 54 to an 9 volt. source. (spot 14 or 41)
- (3) Align synthesizer. (Vol. 22 Pg. 28)
- (4) The fine clarifier will now shift on transmit.



FIGURE# 15.....SUPERSTAR 3900 CLARIFIER MOD

Super Star 3900 + 10 KHZ Frequency Shift.

● Pat Vizenor

- (1) Remove J49 & replace with 4.7k res.
- (2) Use a SPST Switch wire the center contact to a good 8V source. (3) Wire the top contact to pin 9 of 1C6.

Clarifer fine slide for super star 3900

- (1) Remove D75 located near front of radio.
- (2) Locate Green wire on fine tune portion of clarifier pot. Remove at PCB resolder to 8VDC (front edge of PCB).