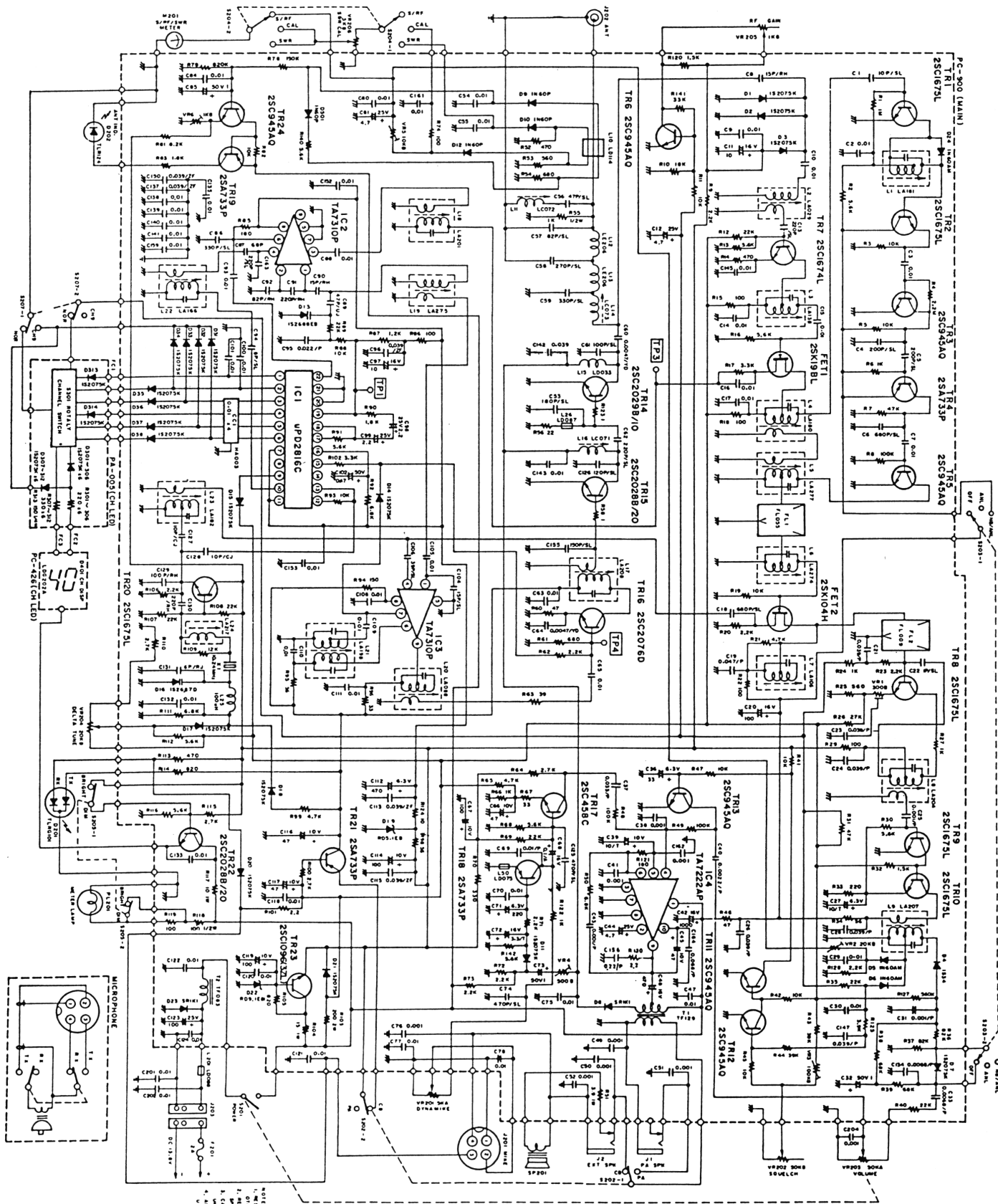


CIRCUIT DIAGRAM FOR COBRA 29LTD



NOTES:
 1. RESISTANCE VALUES ARE GIVEN IN OHM UNLESS OTHERWISE NOTED.
 2. CAPACITANCE VALUES ARE IN MICROFARADS UNLESS OTHERWISE NOTED.
 3. ALL COMPONENTS ARE STANDARD UNLESS OTHERWISE NOTED.
 4. CAPACITANCE VALUES ARE INDICATED IN MICROFARADS UNLESS OTHERWISE NOTED.
 5. ALL COMPONENTS ARE STANDARD UNLESS OTHERWISE NOTED.