

TRICKS OF THE TRADE

*21. INCREASE THE SIZE OF R184 FROM A 330ohm TO A 470ohm.

*22. IN THE RECEIVER, SHORT ACROSS THE LEGS OF C41.

*23. CHANGE R48 (SITTING ON AN ANGLE NEAR L4) TO A 750ohm, +/- 70 ohms.

24. AT THE FRONT OF THE BOARD, REMOVE JUMPERS JP17 AND JP18. CROSS WIRE THEM.

ALIGNMENT

WITH A COUNTER CONNECTED TO READ THE TRANSMITTER FREQUENCY, APPLY POWER.

1. CONNECT A SCOPE TO THE YELLOW DOT TERMINAL OF THE EPOXY PAK. ADJUST THE TANKS ON THE EPOXY PAK AND THE BLACK TANK ON THE INPUT TO THE MIXER FOR THE BEST AND CLEANEST SIGNAL. ALSO ADJUST FOR THE SAME AMPLITUDE OF SIGNAL AT EACH END OF THE FREQUENCIES YOU HAVE INSTALLED CRYSTALS FOR.

2. SELECT CHANNEL 1 AND ADJUST EACH CAPACITOR OF THE GROUP FREQUENCY CRYSTAL. THE FREQUENCY IT SHOULD READ IS STAMPED IN BLACK ON THE SIDE OF THE CRYSTAL.

3. DO A NORMAL TRANSMITTER-RECEIVER ALIGNMENT USING CENTER FREQUENCY OF THE SPAN YOU HAVE INSTALLED CRYSTALS FOR. IF EVERYTHING HAS BEEN BROAD-BANDED PROPERLY, THE EXTREME ENDS OF THE FREQUENCIES SHOULD BE AT OR ABOUT THE HALF POWER POINT.

FINISHING TOUCH

TAKE THE DECAL "TECH'S CHOICE" AND PLACE IT JUST ABOVE WHERE YOU READ 2000GTL, OR JUST ABOVE THE TWO METERS, CENTERED BETWEEN THEM.

TRICKS OF THE TRADE

COURTESY CARD KIT

BY NOW MOST TECHNICIANS ARE AWARE THAT THE FINAL INDUCTOR BEFORE THE OUTPUT TO THE SO-239 ON THE COBRA 21 AND 25 LTD HAS ONE TURN TOO MANY IN THEM. THIS IS CORRECTED BY PUSHING THE CAPACITOR, C142, BODY TOWARD THE COIL AND HALFING THE COIL, STANDING HALF OF IT UP OVER C142 AND LEAVING THE OTHER HALF IN ITS' ORIGINAL POSITION.

THE SAME COIL (L10) IN THE COBRA 21, 25, AND 29 PLUS UNITS NEED TO BE ADJUSTABLE, BUT ARE NOT. IN THE COBRA 21 AND 25 PLUS IT IS TOO SHORT. IN THE COBRA 29 PLUS, IT IS GENERALLY TOO LONG DUE TO THE ADDITIONAL INDUCTANCE OF THE SWR CIRCUIT.

CORRECTING THE PROBLEM

ON THE COBRA 21 AND 25 PLUS MODELS

1. PUSH THE CAPACITORS LAYING BETWEEN C10 AND C11 OVER TOWARD C11 AS MUCH AS POSSIBLE.
2. SEPERATE 2 OR 3 TURNS OF L10 PUSHING THEM ALSO OVER TOWARD L11.
3. TAKE A FERRITE SLUG FROM A RF 10mm TANK, (THOSE SIMILAR TO THE ONES FOUND IN THE TECH'S CHOICE C AND D KITS.) WITH A PAIR OF DYKES, CRACK THE SLUG INTO THREE PARTS.
4. PLACE ONE OF THESE PEICES INTO THE CENTER OF THE 2 OR 3 TURNS THAT YOU HAVE PUSHED OVER, SECURING IT THERE WITH 3M 4475 ADHESIVE.

ON THE COBRA 29 PLUS

1. PUSH THE CAPACITOR THAT IS TOWARD THE OUTPUT, BACK TOWARD THE CENTER OF L10 AND SPLIT THE COIL. STAND HALF OF IT UP OVER THE CAPACITOR.

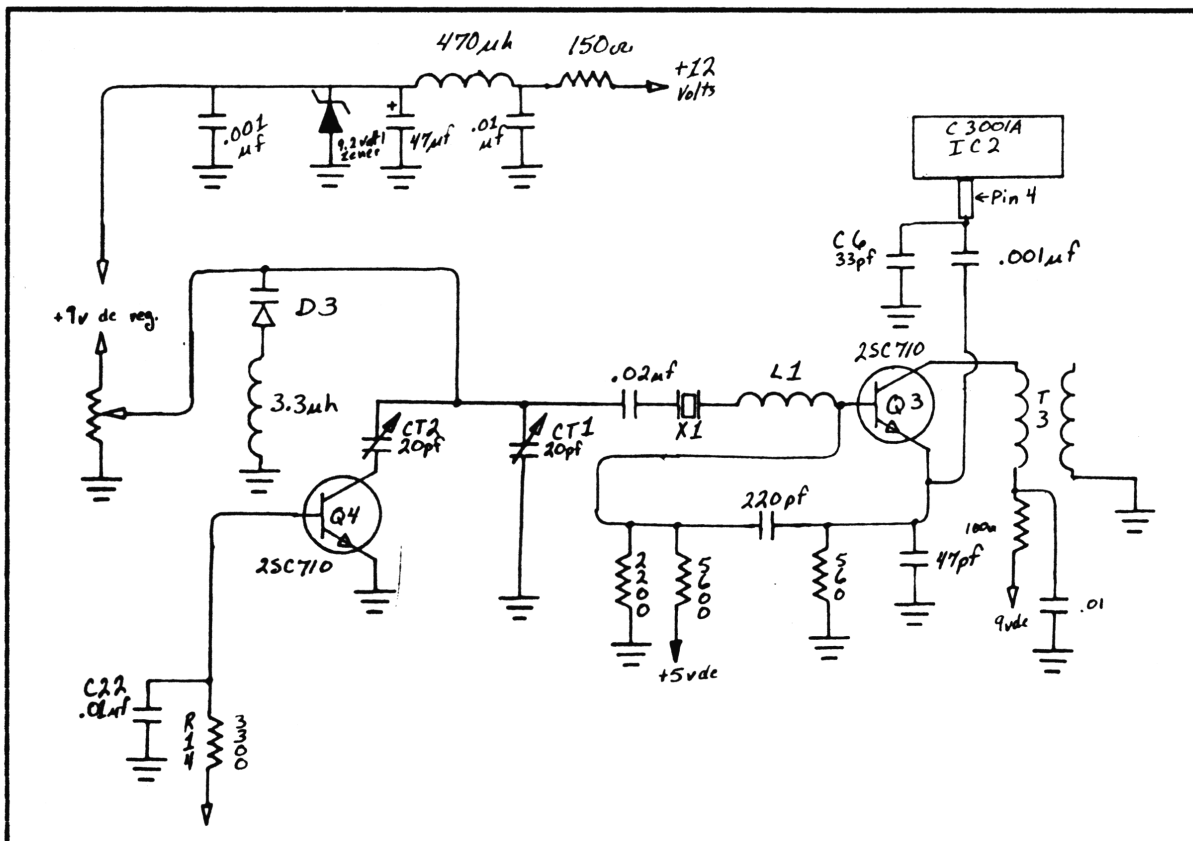


FIGURE 1. O2A CLARIFIER, REFER TO Pg 9