

# UNIDEN PC77 CARD KIT 'A' INSTALLATION

TUNE T14 AND T15 FOR PEAK READING WITH 30% INJECTED MODULATION.

## FoCONVERSION.

1.REFER TO FIGURE 1. ISOLATE PINS 7, 8, AND 14.

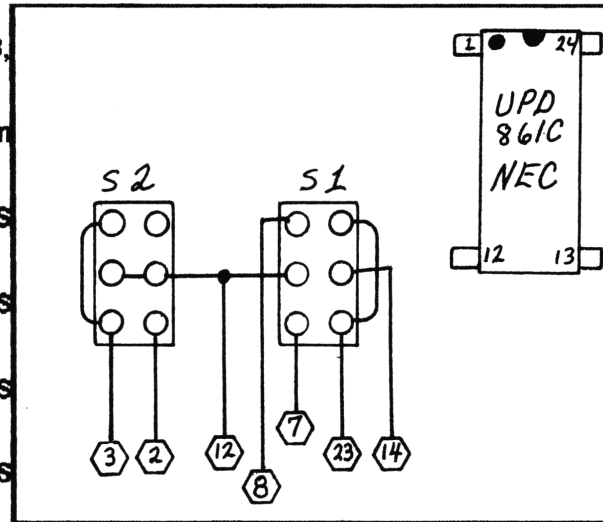
2.BRIDGE THE TRACE CUTS WITH 4.7kohm RESISTORS.

3.WIRE TWO DPDT CENTER OFF SWITCHES AS PER FIG.1.

SWITCH 1 IN CENTER POSITION YIELDS NORMAL 40 CHANNELS.

\*WITH PIN 7 HIGH AND PIN 8 LOW, GIVES LOW CHANNELS.

\*WITH PIN 8 HIGH AND PIN 7 LOW, GIVES HIGH CHANNELS.



SWITCH 2 PICKS UP SOME OF THE MISSED CHANNELS.

T201 (VCO) MAY HAVE TO BE TUNED SLIGHTLY TO PICK UP ALL THE FREQUENCIES.

# UNIDEN PC77 CARD KIT 'A' INSTALLATION

## *BRUCEFINLEY*

GIVES 27.425-27.865. REFER TO FIGURES 1 & 2.

1.LOCATE, UNSOLDER, AND LIFT ANODE OF D20 FROM PIN 20 OF PLL LC7131.

2.SOLDER WIRE FROM P TO ANODE OF D20 DIODE.

3.SOLDER WIRE FROM Q TO CUT SIDE WHERE D20 WAS LIFTED.

4.SOLDER S TO GROUND.

5.SOLDER L TO YELLOW ON EPOXY PAK.

6.REMOVE C-66.(NO REPLACEMENT)

7.REMOVE C-64, AND INSTALL NEW 47pf CAP LEG TO THE HOLE THAT CONNECTS TO PIN 4 OF TA7310 CHIP.

8.SOLDER WIRE FROM K TO THE OTHER LEG OF THE 47pf CAP.

9.SOLDER THE WIRE FROM J TO WHERE C-64 WAS REMOVED.

10.SOLDER THE WIRE FROM PIN 3 OF THE LC7131 CHIP TO RED ON THE EPOXY PAK.

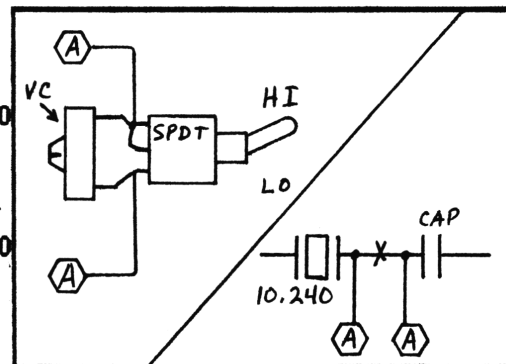


FIGURE 1&2.PC77

