

TO USE NB/ANL SWITCH, HARDWIRE AS FOLLOWS AND REPLACE WITH DPDT CENTER OF SWITCH.

- 1.REMOVE BLACK, BROWN, & ORANGE WIRES FROM NB/ANL SWITCH.
- 2.REMOVE BARE JUMPER FROM CENTER THAT RUNS FROM THE CENTER OF THE NB/ANL SWITCH TO THE CENTER OF THE HI/LO SWITCH BAND SWITCH, AT THE NB/ANL SWITCH.
- 3.CONNECT ORANGE WIRE TO REMOVED END OF BARE JUMPER.
- 4.CONNECT THE BLACK AND BROWN WIRES TOGETHER.

DIGALOG CRC100 COUNTER ON THE SUPERSTAR 360FM

. *JAMES VAUGHAN*

- 1.SOLDER THE 51ohm RESISTOR (SUPPLIED WITH COUNTER) TO THE CENTER CONDUCTOR OF THE COAX.
- 2.SOLDER THE 15pf CAP (SUPPLIED WITH COUNTER) TO THE OTHER END OF THE 51ohm RESISTOR.
- 3.SOLDER THE FREE END OF THE 15pf CAP TO TP3 (R84) OR SOLDER IT TO JP35. (EITHER WILL WORK)
- 4.SOLDER THE COAX SHIELD TO THE L12 CAN.
- 5.SOLDER THE BLACK WIRE TO A GOOD PC BOARD GROUND.
- 6.SOLDER THE RED WIRE TO SWITCHED B + .(OFF SIDE OF POWER SWITCH.)

SPECIAL KRACO KCB4010 LO Fo MOD

GIVES 26.435-26.955.AND PUTS THE SWITCH IN A CONVENIENT PLACE.

- 1.OBTAIN A 3 POSITION SWITCH SUCH AS A DELTA TUNE SWITCH FROM A MIDLAND 13-882C ETC.
- 2.DRILL A HOLE OF THE PROPER SIZE FOR YOUR SWITCH, BETWEEN THE C & B OF THE LOGO ON THE UNITS FACE-PLATE AND CHASSIS.
- 3.REMOVE THE FACE-PLATE AND INSTALL THE SWITCH.
- 4.DO STEPS 5,6 & 7 OF THE CONVERSION OUTLINED IN VOL 21,PAGE 25 FOR THE GEMTRONICS GTX44.
- 5.REPLACE THE FACE-PLATE AND ALL KNOBS INCLUDING A NEW KNOB FOR THE Fo SWITCH.

REALISTIC TRC-468

. *DC*

PLL = uPD-861C

UNIDEN PC77 CARD KIT 'A' INSTALLATION

TUNE T14 AND T15 FOR PEAK READING WITH 30% INJECTED MODULATION.

FoCONVERSION.

1.REFER TO FIGURE 1. ISOLATE PINS 7, 8, AND 14.

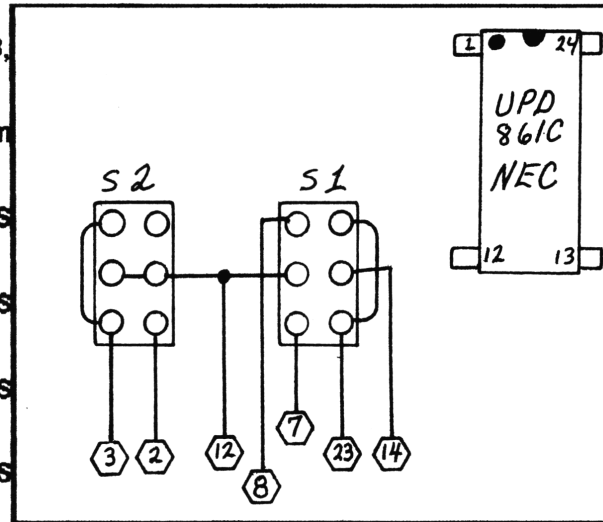
2.BRIDGE THE TRACE CUTS WITH 4.7kohm RESISTORS.

3.WIRE TWO DPDT CENTER OFF SWITCHES AS PER FIG.1.

SWITCH 1 IN CENTER POSITION YIELDS NORMAL 40 CHANNELS.

*WITH PIN 7 HIGH AND PIN 8 LOW, GIVES LOW CHANNELS.

*WITH PIN 8 HIGH AND PIN 7 LOW, GIVES HIGH CHANNELS.



SWITCH 2 PICKS UP SOME OF THE MISSED CHANNELS.

T201 (VCO) MAY HAVE TO BE TUNED SLIGHTLY TO PICK UP ALL THE FREQUENCIES.

UNIDEN PC77 CARD KIT 'A' INSTALLATION

BRUCEFINLEY

GIVES 27.425-27.865. REFER TO FIGURES 1 & 2.

1.LOCATE, UNSOLDER, AND LIFT ANODE OF D20 FROM PIN 20 OF PLL LC7131.

2.SOLDER WIRE FROM P TO ANODE OF D20 DIODE.

3.SOLDER WIRE FROM Q TO CUT SIDE WHERE D20 WAS LIFTED.

4.SOLDER S TO GROUND.

5.SOLDER L TO YELLOW ON EPOXY PAK.

6.REMOVE C-66.(NO REPLACEMENT)

7.REMOVE C-64, AND INSTALL NEW 47pf CAP LEG TO THE HOLE THAT CONNECTS TO PIN 4 OF TA7310 CHIP.

8.SOLDER WIRE FROM K TO THE OTHER LEG OF THE 47pf CAP.

9.SOLDER THE WIRE FROM J TO WHERE C-64 WAS REMOVED.

10.SOLDER THE WIRE FROM PIN 3 OF THE LC7131 CHIP TO RED ON THE EPOXY PAK.

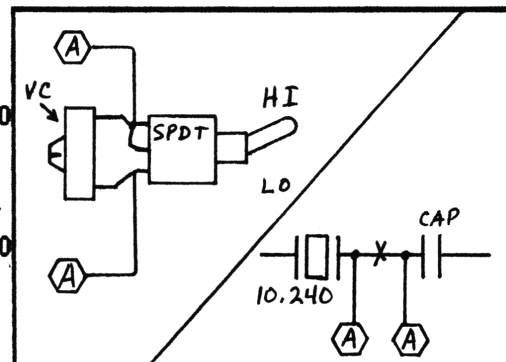


FIGURE 1&2.PC77

