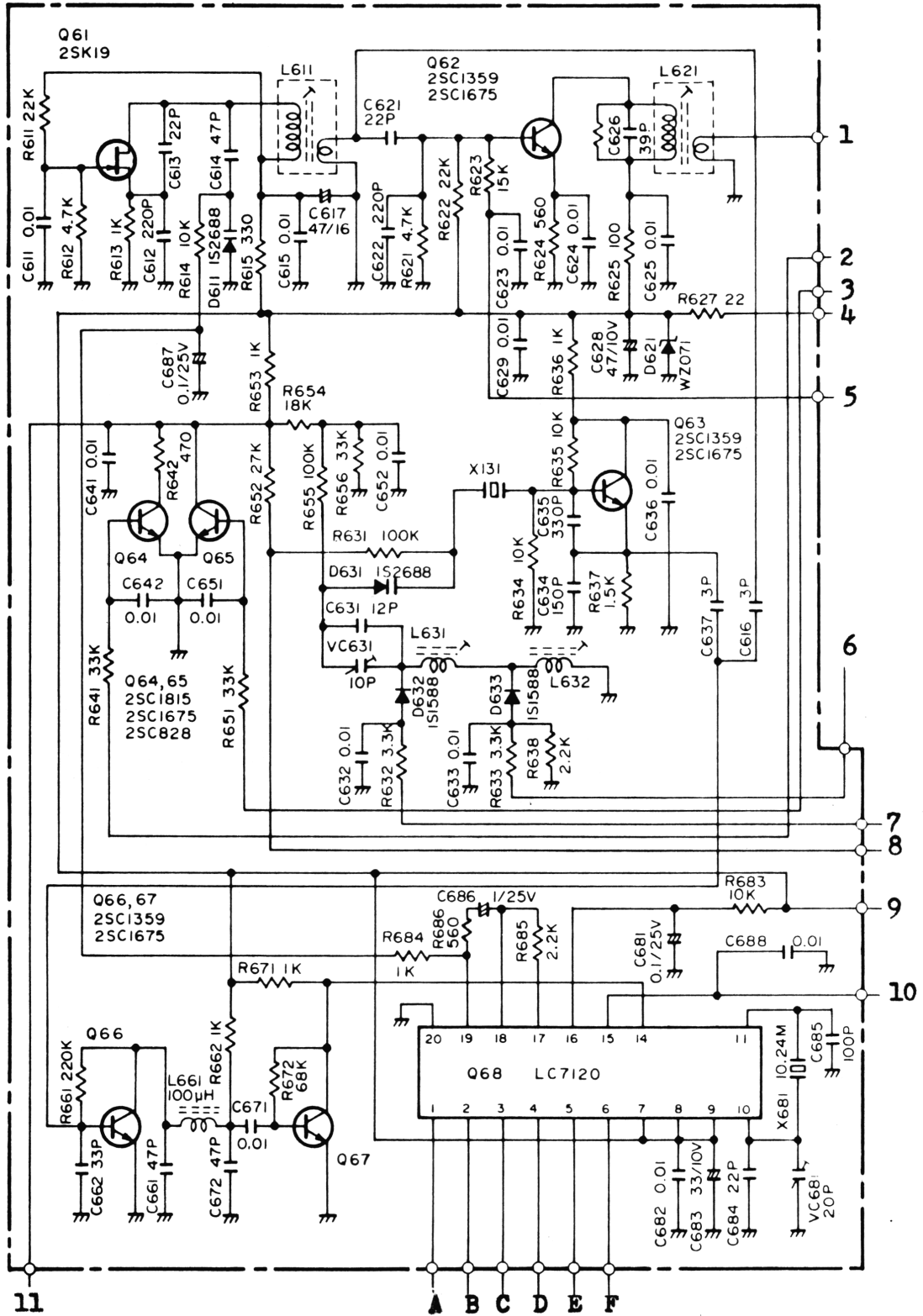


# ROBYN SB-540D PLL Schematic

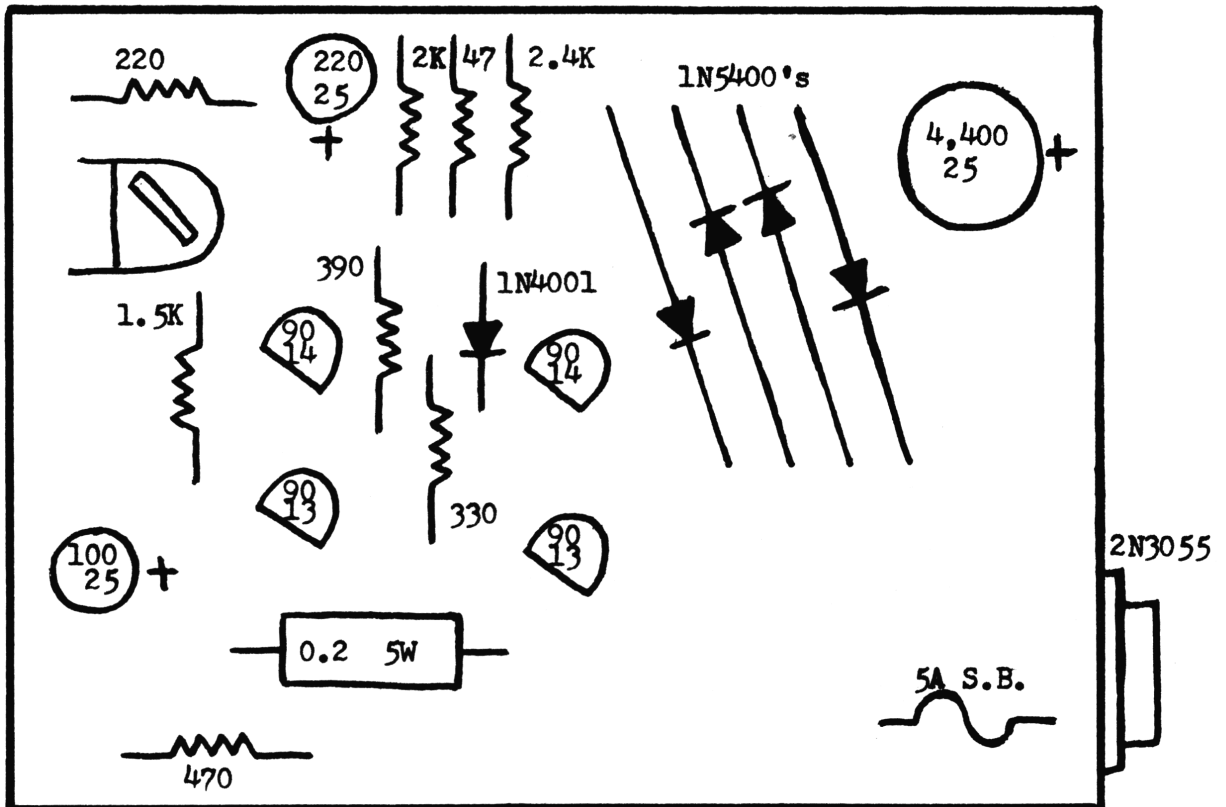


ROBYN SB-540D PLL PCB Wiring Diagram-Locator

<u>Reference #</u>	<u>To...</u>
1	C630
2. . . . .	LSB contact, S4-5
3	AM/USB contact, S4-5
4. . . . .	junction C963/R962
5	VR311, C315, S4-3 (AM contact, and R584
6. . . . .	R576, C181, R181, R150, S4-1 (AM contact)
7	S4-4 (USB contact), R591
8. . . . .	S5 (ClaroMic Switch) center contact external position
9	C997, L991, VR641, and R471
10. . . . .	R472
11	S5 (ClaroMic Switch) center contact internal position
A. . . . .	R709
B	R708
C. . . . .	R707
D	R706
E. . . . .	R705
F	R704

VANCO Mdl.-PS-12-5

Regulated Power Supply, PCB Parts/Layout Identification



9013 and 9014 transistors are a direct cross to ECG-123AP