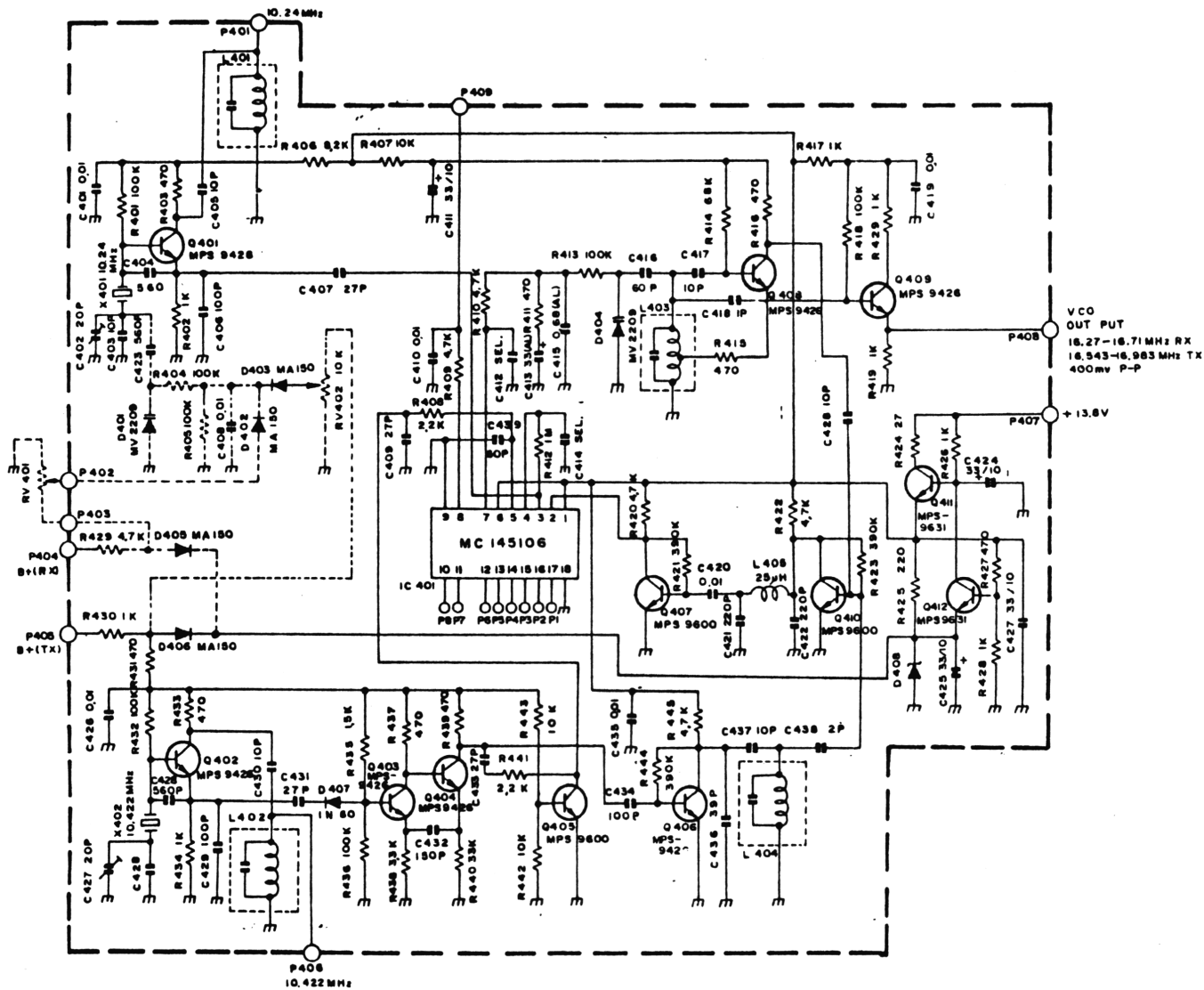


ALARON B-4085 PLL Schematic



ALARON Md1. B-4085; 40 Ch. Mobile (MC145106-PLL) B I N G O

Finally, an AM unit with "highly modifiable" PLL chip. BUT, just try and find one! Some screwdriver jockey might have one laying around worth salvaging, if you're lucky.

"Tune-up", RX: L101, L102, L103, L104, L105, L106, and L108. "See dotted line upper right side of schematic for optional RF Gain circuitry. All such lines are for this." C127 may be increased in value for ANL improvement.

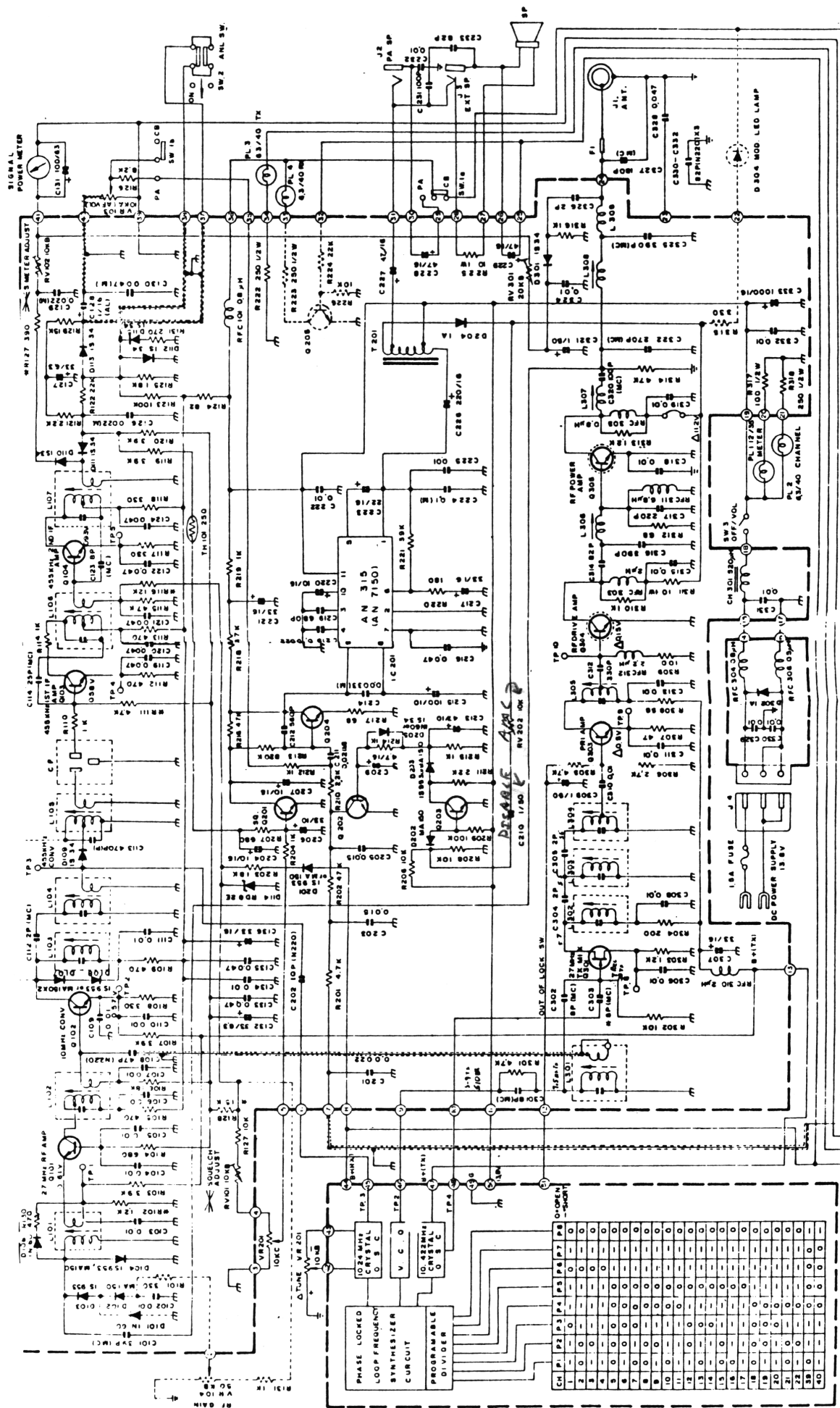
RV101-Sq Rng, RV102-RX Mtr, RV202-AMC (Disable is C210), RV310- TX Mtr.

TX: L301 (Carefully), L302, L303, L303, L304, L305, L306, L307, and L308. NOTE: Some units had 12W finals and could be pushed!

"Modification", Check out the program chart on schematic page - unit only plays with Pins 10-17. But Pin 9 is held at logic 0; take to a logic 1; and see what happens. D404, varactor in VCO will probably have to be changed to "Super Diode" for wide Fo coverage. X402 can also be changed.

I don't have access to a unit, so no telling what unit can really do.....

ALARON B-4085 Schematic



NOTE: VOLTS TRANSMIT CONDITION
 ALL VOLTAGES MEASURED FROM COMMON NEGATIVE CHASSIS GND.
 AND SIGNAL AT 2500 HZ. POWER BY VALUES
 IF MEASUREMENTS ARE MADE AT 2500 HZ.
 SHOWN, THEN REASON FOR DIFFERENCE SHOULD BE COLLECTED.
 * CHASSIS GND BATTERY NEGATIVE * VARIABLE
 * OPTIMAL CIRCUIT

