

REALISTIC PRO-2003 PROGRAMMABLE SCANNER - SCAN SPEED CHANGE

by LESCO

If you own a PRO-2003, you are aware of it's snail paced scan speed.

This modification will increase rate at a factor determined by you.

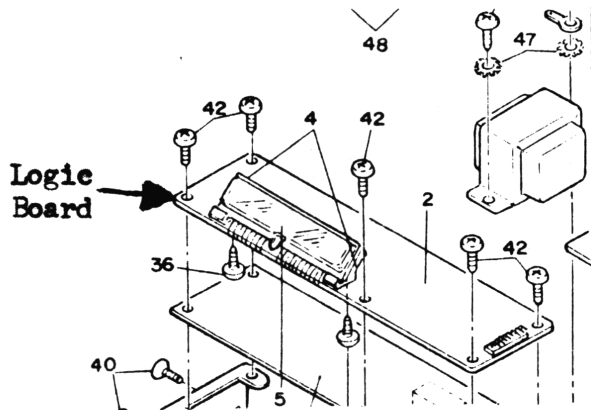
The only drawback of this is that the scan speed change is directly proportional to the delay period. The faster the scan, shorter the delay time.

In the modification the microprocessor clock speed is increased. By this increase everything take a shorter time.

R11 (47K ohms) is the part that must be changed, suggest a nominal value of 27K $\frac{1}{4}$ W.

See illustrations below for location of part that must be changed; be very careful when doing modification; as a screw-up is going to cost\$\$\$\$

EXPLODED VIEW



LOGIC P.C.BOARD (TOP VIEW)

