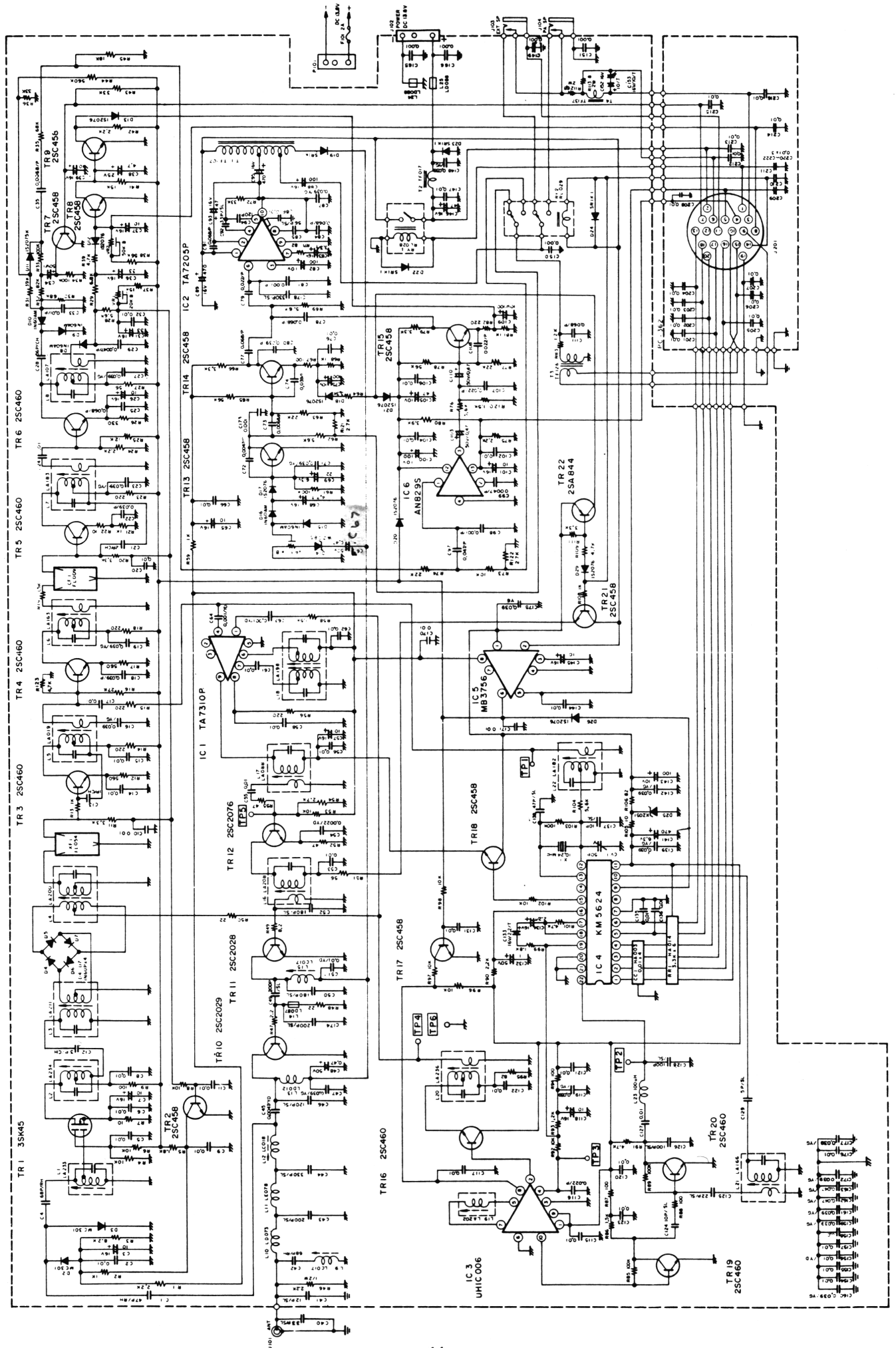
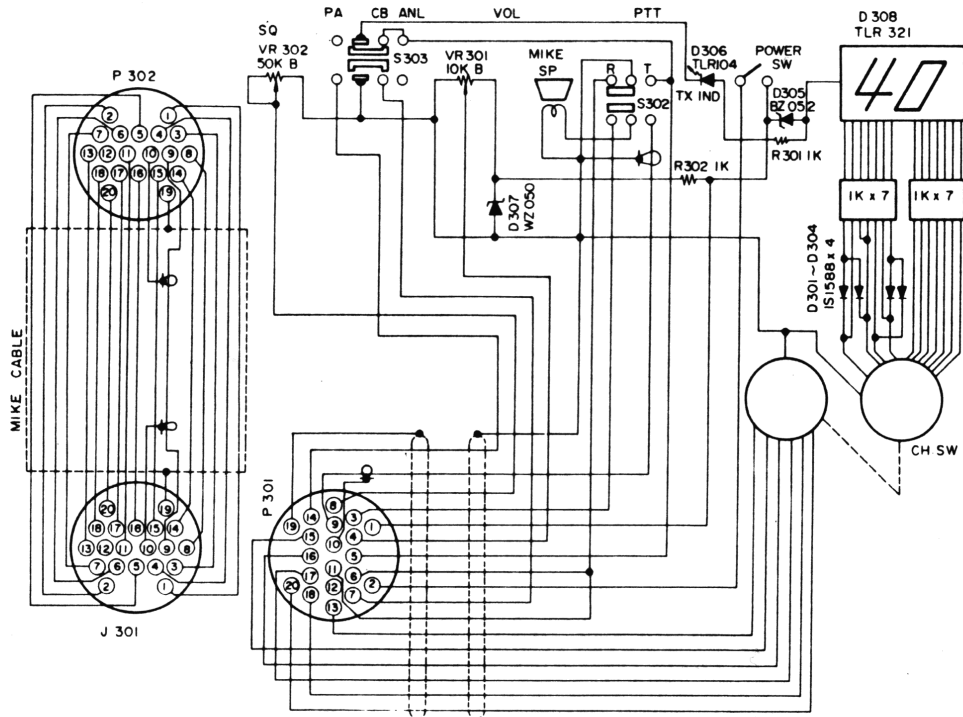


COBRA 62XR Schematic



COBRA 62XLR Schematic, (Cont.)



SPECIFIC TUNEUPS

COBRA 62XLR; 40 Ch. "Hide-A-Way" mobile (PLL-KM5624). Tune-up;
 "Tune-up"; RX: L1, L2, L3, L4, L5, L6, L7, and L8.
 TX: L18, L17, L16, L15, and L12. VR1-RF Gain, VR2-Sq Rng,
 VR3-AMC (disable is C67, .47Mfd/50V).

COBRA 19M; Old 23 Ch. unit. "Tune-up"; RX: T1, T2, T3, T4, T5, and T6.
 TX: L9, L8, L5, and L3. C73 (1Mfd/50V) is AMC disable.
 C27 (.47Mfd/16V) increase for ANL improvement. VR1-AGC,
 VR4-Sq Rng, VR5-TX Mtr.

SBE LCMS-4; 40 Ch. AM/SSB mobile. (PLL is CCI-3001) "Tune-up";
 RX: T1, T2, T3, and T4. TX: T8, T9, L12, L4, L3, and L2.
 VR2-RX Mtr, VR7-AMC, VR10-TX Mtr, VR11-AIC, VR14-Bias.
 "Special Note" Remove Q16, put a jumper from B-E holes.