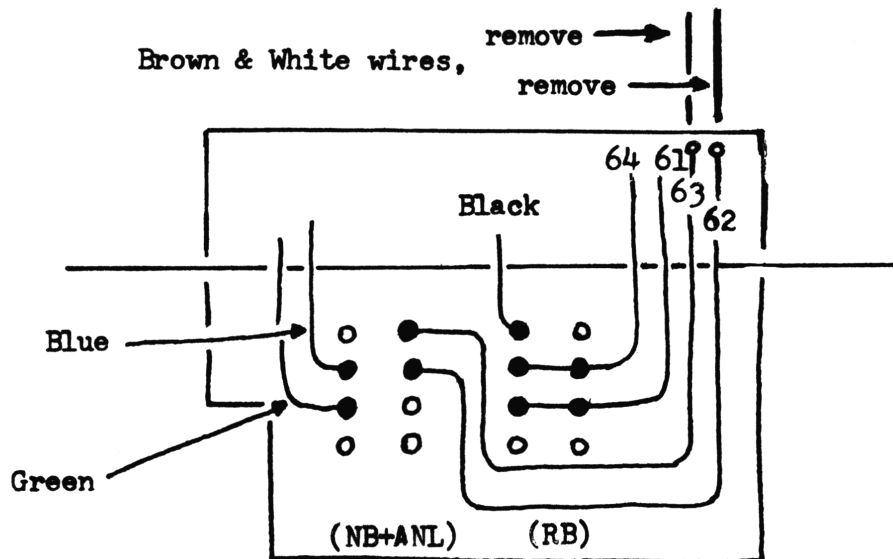


"NEW" - Excalibur SSB (Export); 10KHz Jump Mod.  
by L.S.

The "new" Excalibur SSB now has a Roger Beep switch and the ANL/NB incorporated on single switch. (Refer to Vol. 22, page 37 for "old Ex-SSB function selector PCB.)

Conversion of NB/ANL switch to 10KHz Jump switch: USE DRAWING BELOW FOR GUIDE

1. Follow the Blue and Green wires from the NB+ANL switch down to the MAIN PCB.  
(Note: Blue goes to trace #61, Green to trace #64; ON MAIN PCB.)
2. Unsolder wires at main PCB; install jumper between traces #61 and #64.
3. Locate J49; remove and install a 4.3K  $\frac{1}{4}$ W resistor. (Special Note: some have found it easier to cut jumper on top of PCB and solder to wires.)
4. Solder Blue wire removed from trace #61 directly to Pin 9 of IC-6;  
this is Logic 1.
5. Solder Green wire removed from trace #64 directly to Pin 16 of IC-6.
6. Locate traces #62 and #63 on the top of the Function Selector board.  
Remove the Brown and White wires, insulate separately-tie into bundle.
7. NB+ANL is now a +10KHz jump when it is ON.



"NEW EXCALIBUR", Function Selector PCB