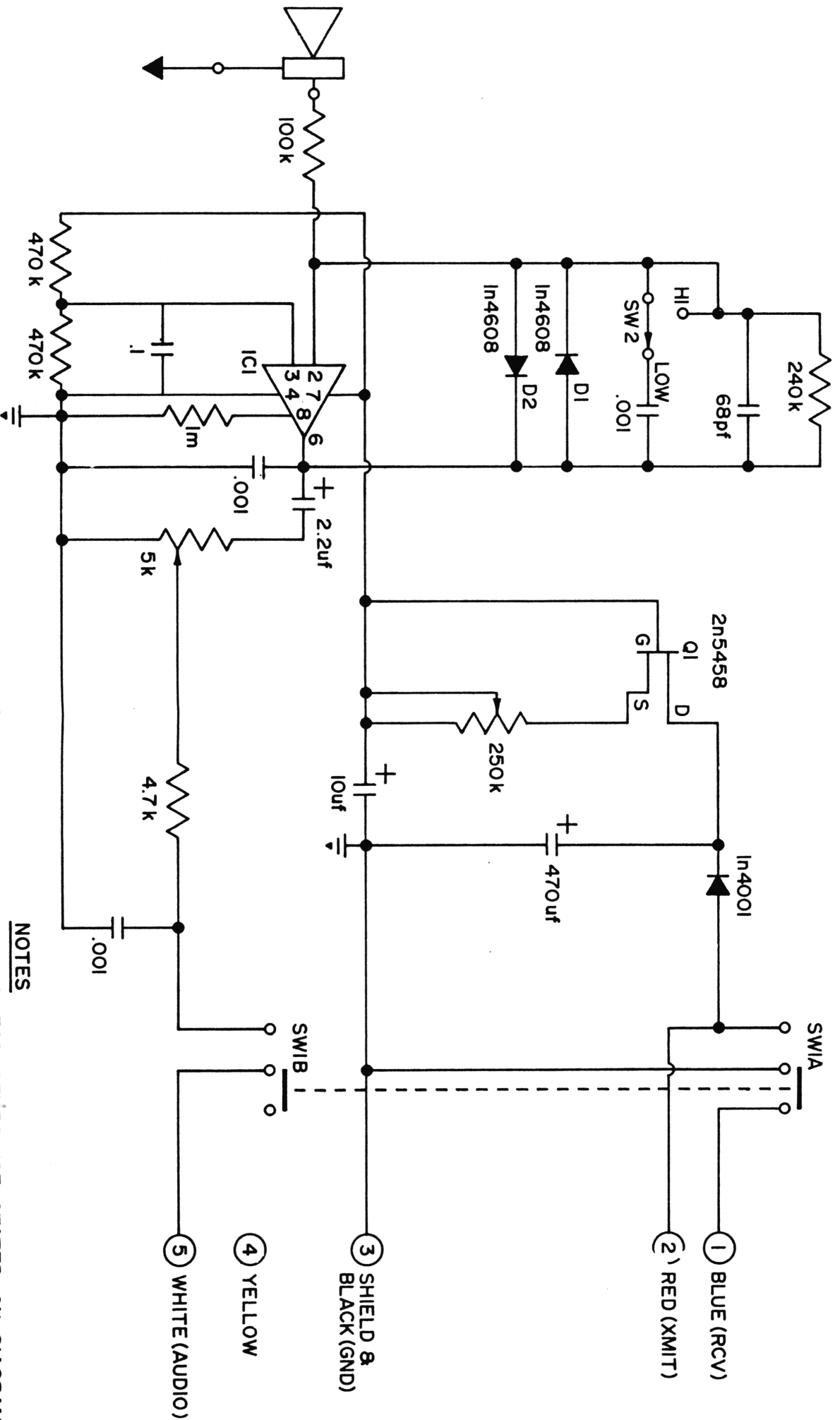


K40 SPEECH PROCESSOR MICROPHONE SCHEMATIC



- NOTES**
- 1) ALL CAPACITORS ARE IN MICROFARADS UNLESS OTHERWISE STATED ON DIAGRAM.
 - 2) CENTER TERMINAL OF THE 250K POT MUST BE SET FOR 4.0 VOLTS D.C.