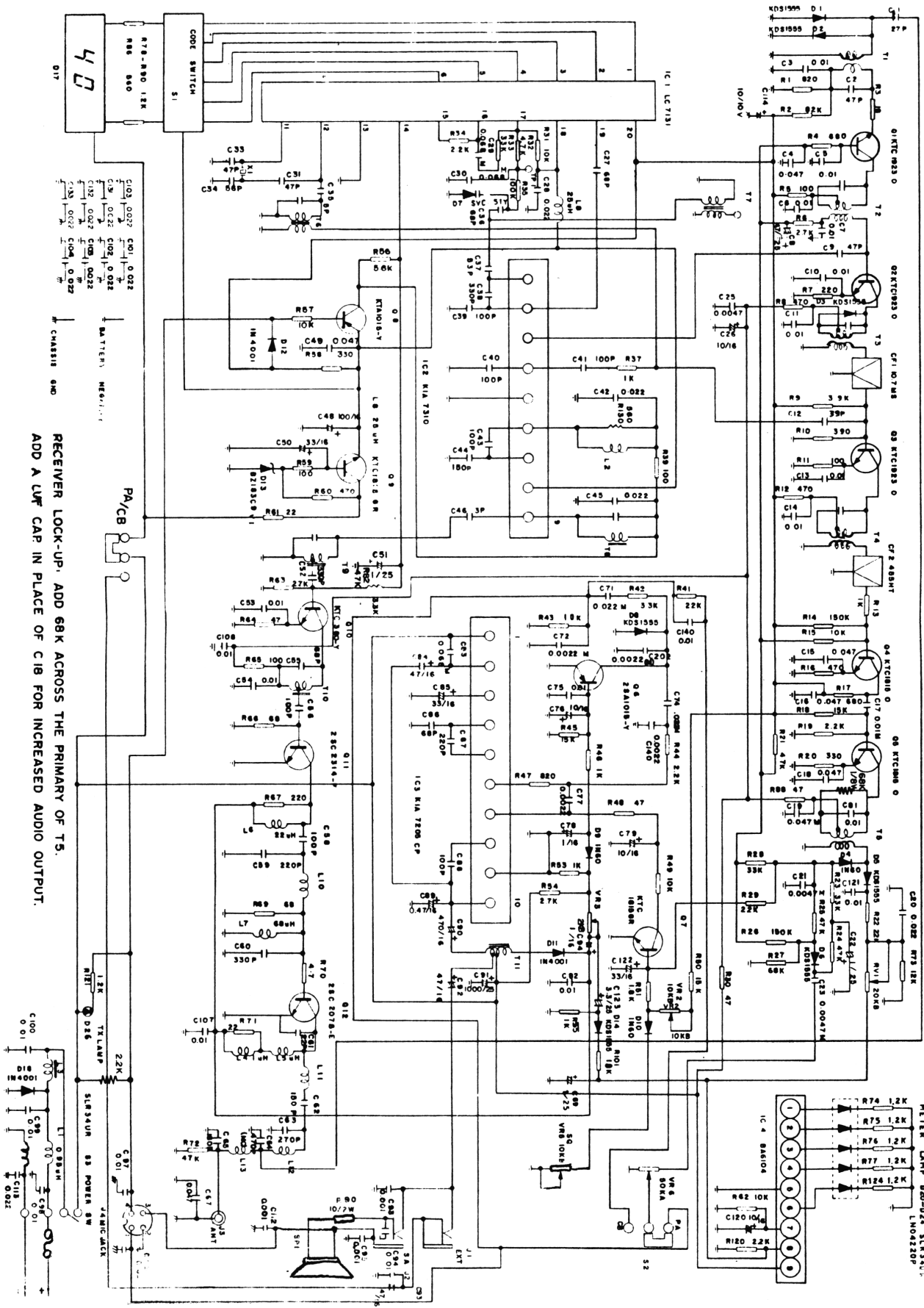


# K40: PRODUCTION MODEL #3 SCHEMATIC



RECEIVER LOCK-UP: ADD 68K ACROSS THE PRIMARY OF T5.  
 ADD A LWF CAP IN PLACE OF C18 FOR INCREASED AUDIO OUTPUT.