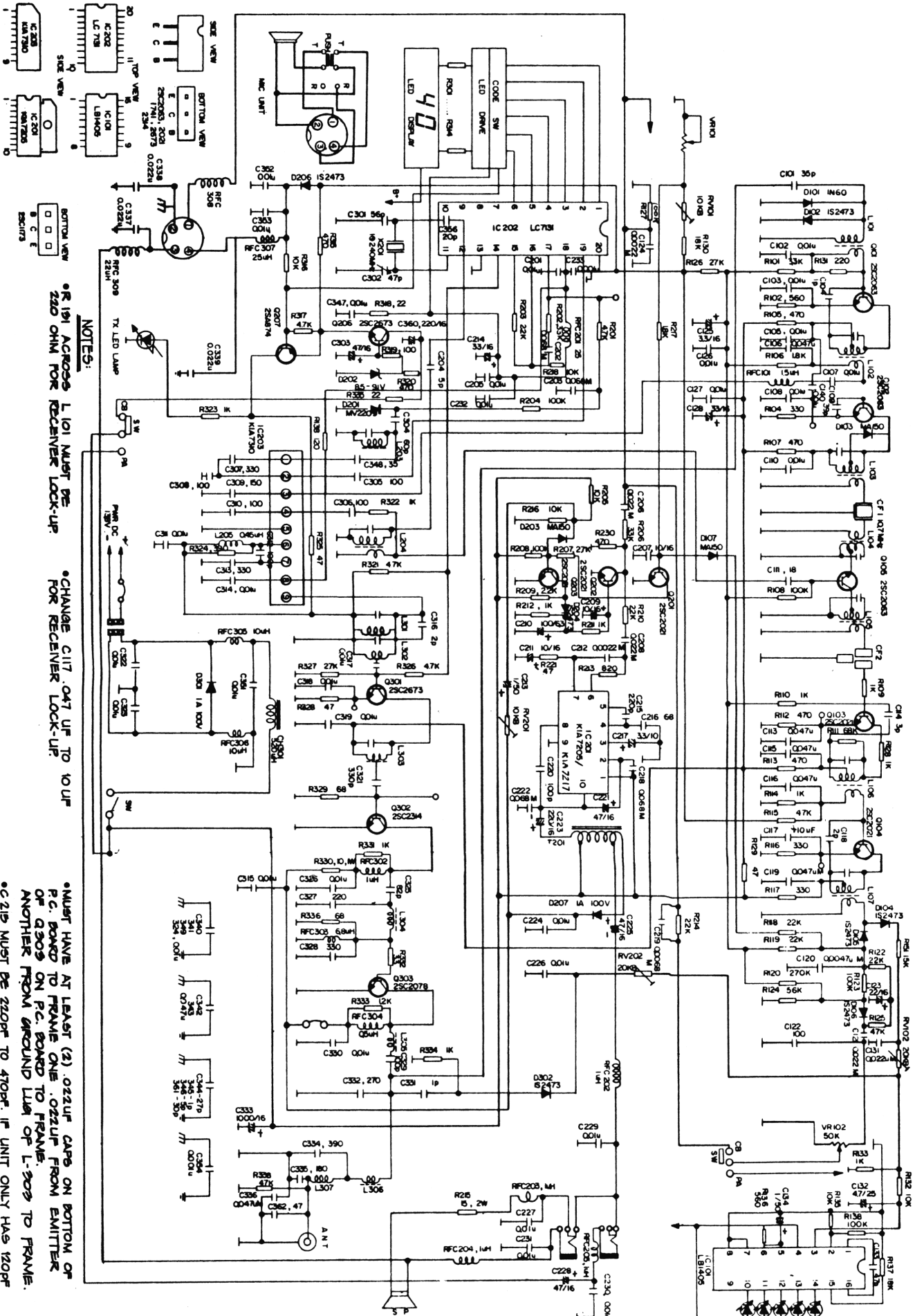


# K40; PRODUCTION MODEL #2 SCHEMATIC



**NOTES:**

- \* R191 ACROSS L101 MUST BE 220 OHM FOR RECEIVER LOCK-UP.
- \* CHANGE C117 047 UF TO 10 UF FOR RECEIVER LOCK-UP.

- \* MUST HAVE AT LEAST (2) .022UF CAPS ON BOTTOM OF P.C. BOARD TO FRAME ONE .022UF FROM EMITTER OF Q303 ON P.C. BOARD TO FRAME.
- \* ANOTHER FROM GROUND LUG OF L-503 TO FRAME.
- \* C219 MUST BE 220PF TO 470PF. IF UNIT ONLY HAS 120PF ADD ANOTHER 120PF ON BOTTOM OF P.C. BOARD ON AUDIO IC PINS 4-5 OR CHANGE 120PF TO 220PF.