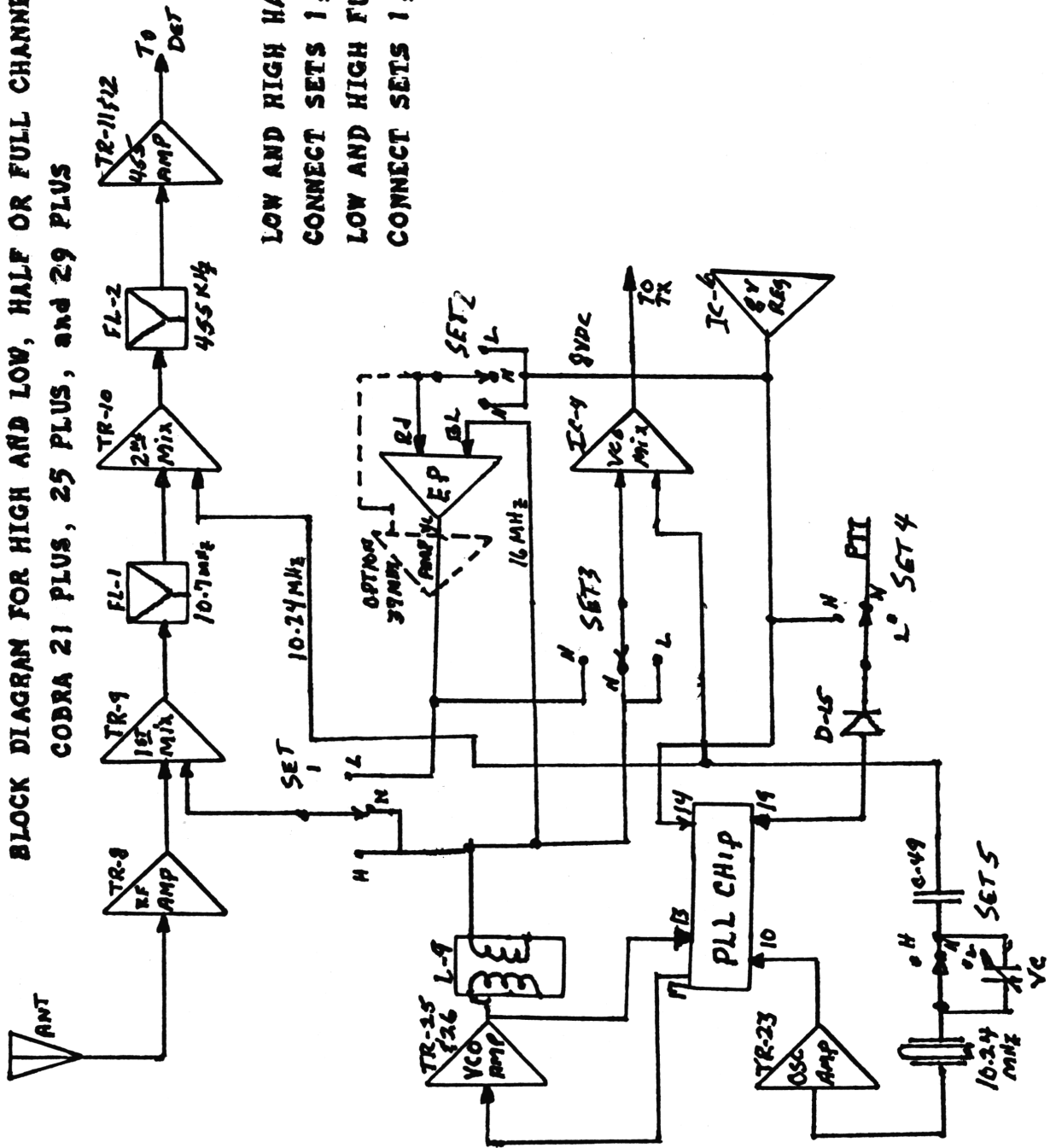


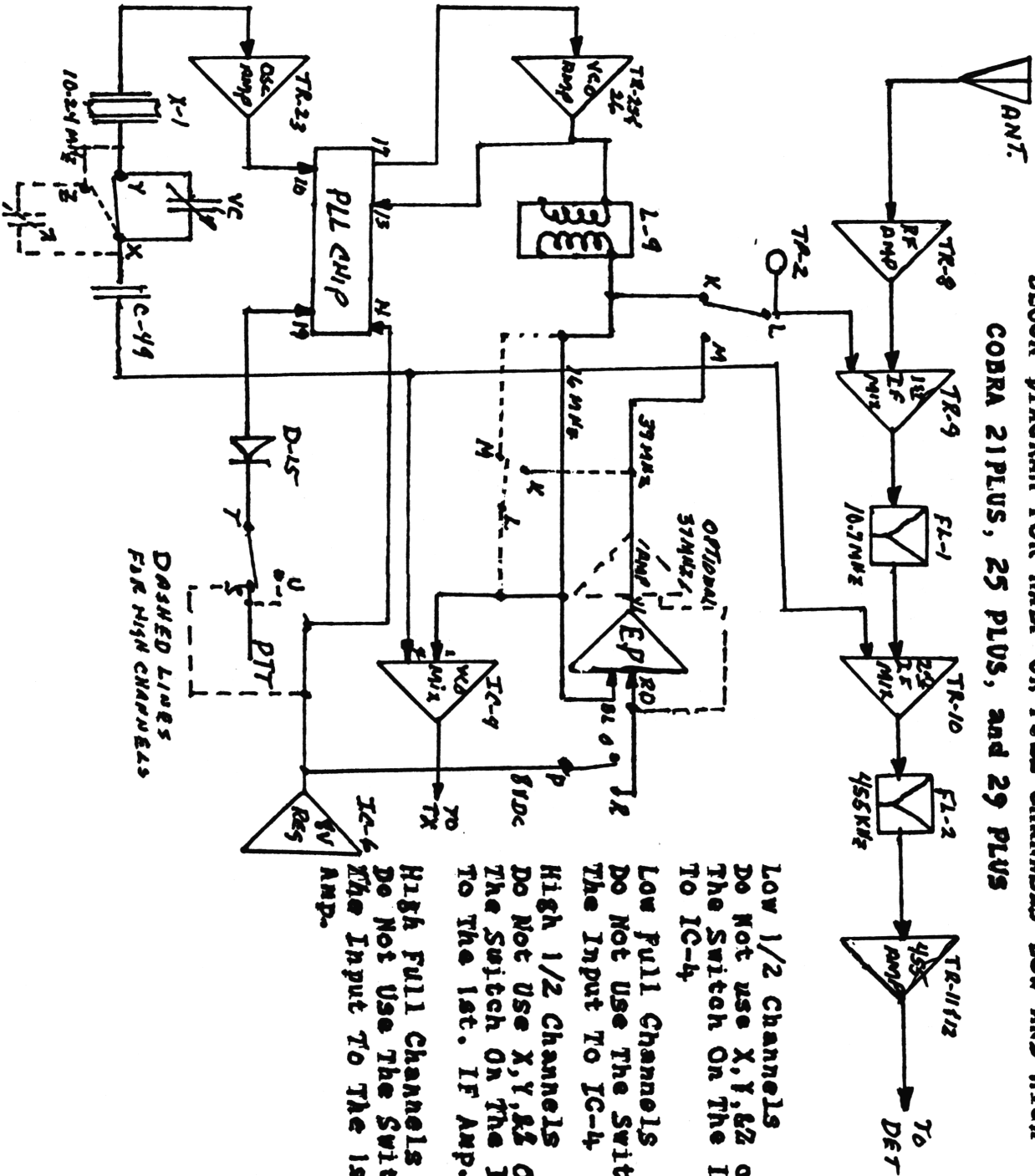
**BLOCK DIAGRAM FOR HIGH AND LOW, HALF OR FULL CHANNELS  
COBRA 21 PLUS, 25 PLUS, and 29 PLUS**



**LOW AND HIGH HALF CHANNELS  
CONNECT SETS 1, 2, 3, & 4**

**LOW AND HIGH FULL CHANNELS  
CONNECT SETS 1, 2, 3, 4, & 5**

**BLOCK DIAGRAM FOR HALF OR FULL CHANNELS LOW AND HIGH  
COBRA 21PLUS, 25 PLUS, and 29 PLUS**



**Low 1/2 Channels**  
Do Not Use X, Y, Z or  
The Switch On The Input  
To IC-4

**Low Full Channels**  
Do Not Use The Switch On  
The Input To IC-4

**High 1/2 Channels**  
Do Not Use X, Y, Z or  
The Switch On The Input  
To The 1st. IF Amp.

**High Full Channels**  
Do Not Use The Switch On  
The Input To The 1st. IF  
Amp.

**DASHED LINES  
FOR HIGH CHANNELS**