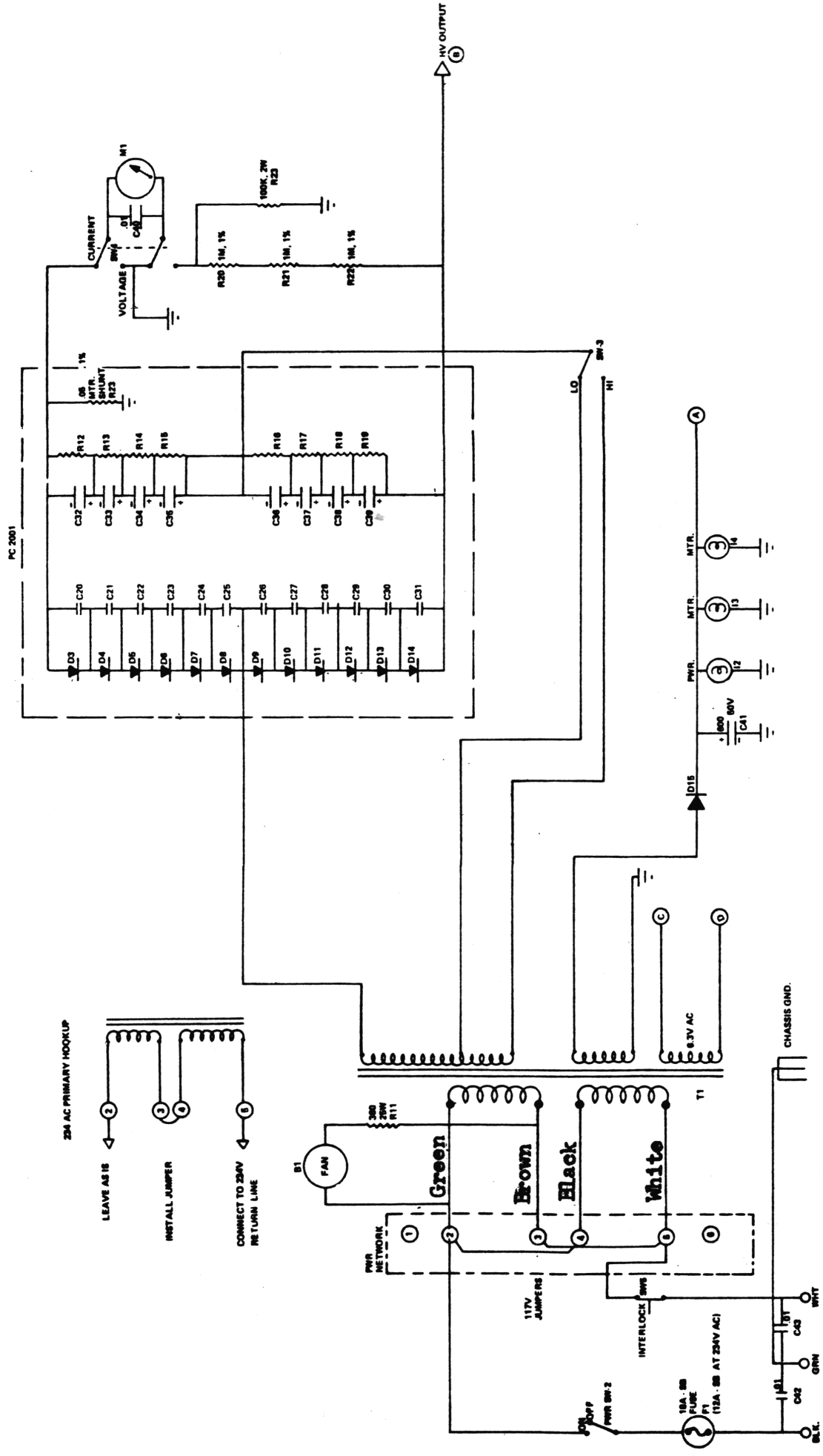


**DENTRON - Clipperton Mdl.
Linear Amp Power Supply Schematic**



- R12-19.....100K, 2W
- C32-39.....100MFD/500VDC
- C20-31......01MFD/500V
- D3-14..... M405