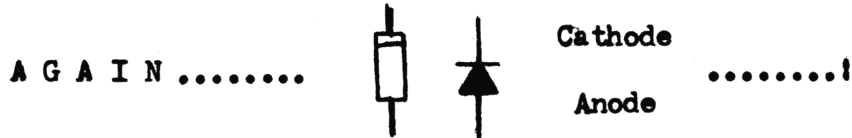


Kenwood TS530 and TS830, UPDATE  
by G.S.

This conversion allows the readout to correctly track when operating in 11 Meter band.

All modification is accomplished on the Counter Unit PCB.

A 3 pole, double-throw switch is required. Switch may be installed anywhere you desire. BUT, be VERY CAREFUL when working on the PCB.....

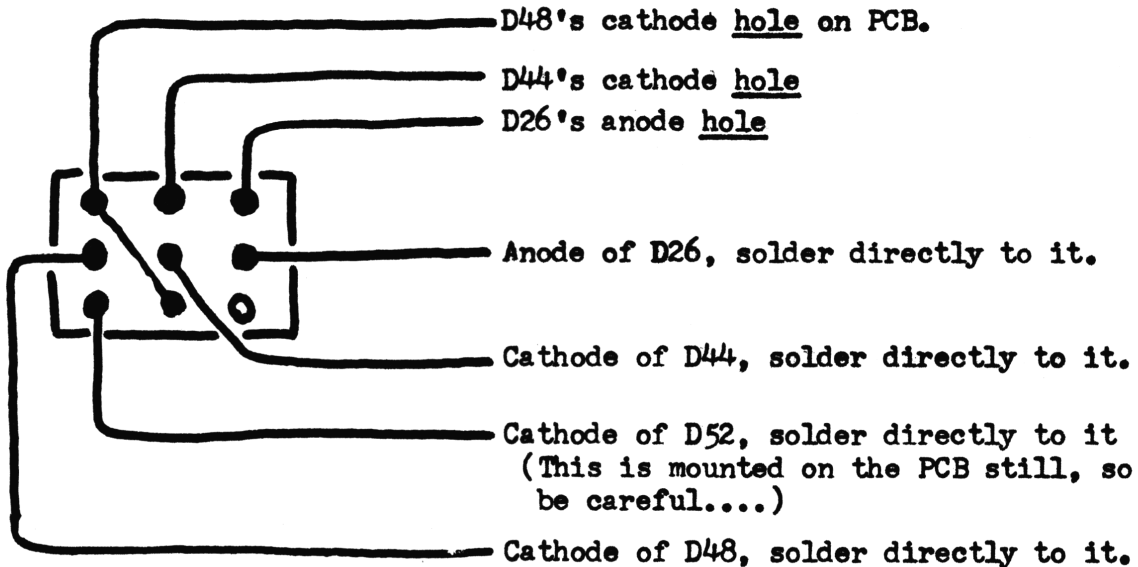


1. Lift cathode of D48, clean out hole.
2. Lift cathode of D44, clean out hole.
3. Lift anode of D26, clean out hole.

See switch wiring diagram below, use in conjunction with the schematic diagram.

....Wiring Diagram....

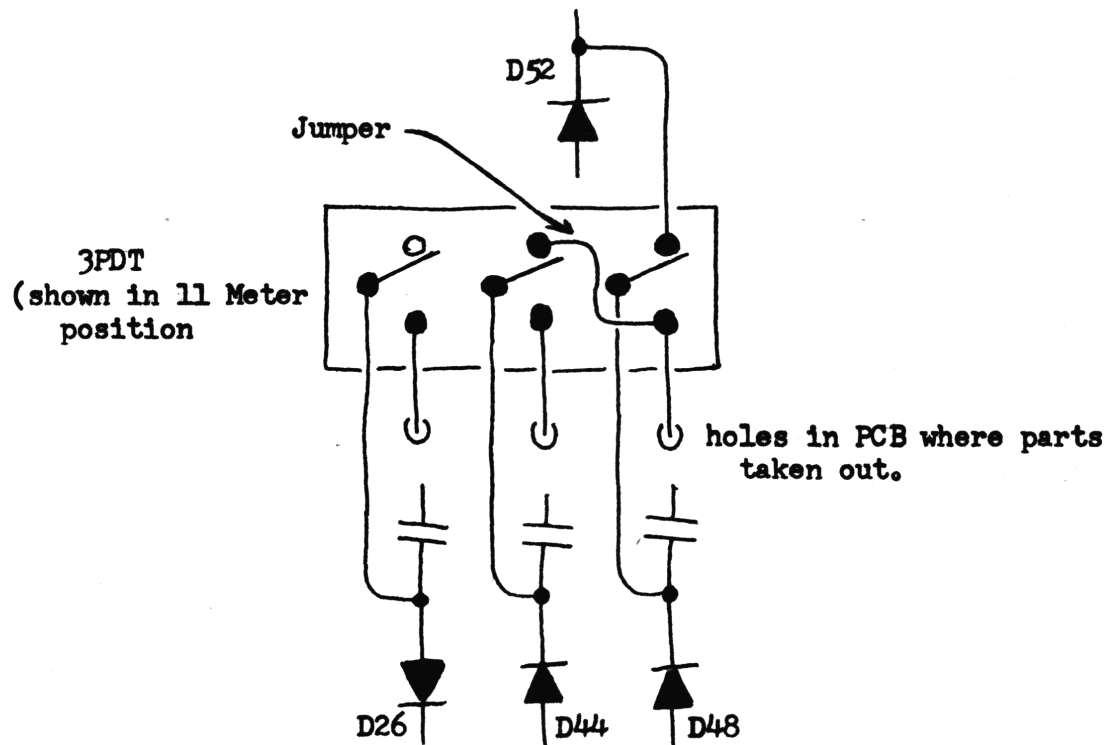
Switch UP is 11 Meter position, DOWN is 10 Meter.



Kenwood TS530/TS830 Update (cont.)....

Schematic of Modification

Double line ( $\equiv$ ) denotes break in circuitry connection.



After you have installed the new switch, use the following  
chart for frequencies...

26.435-27.075MHz.....Band Sw 28MHz position

0.5KHz button, IN  
(NOTE: 0.5KHz button in the OUT position-no Fo's.)

26.935-27.575MHz.....Band Sw 29MHz position

0.5KHz button, OUT

27.435-28.075MHz.....Band Sw 29MHz position

0.5KHz button, IN