

"Black Cat" Linear Amplifiers

Following DON'Ts usually accompanied all units. (I wonder why?)

JB75A.....(7581A tube version).

Remove the jumper on plate tank coil.
3.3K grid swamp resistor, change to 820 ohm.
5pf grid load capacitor on etch side of PCB, change to 220pf.

JB75A.....(8417 tube version).

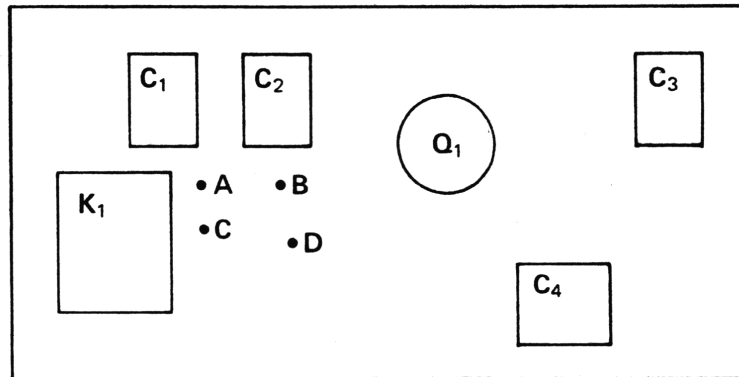
Remove jumper wire on the plate tank coil.
Solder the 220pf capacitor located on etch side of PCB
in parallel with the 5pf grid load capacitor.
Solder the left side of 3.3K swamp resistor to left side
of the input coil.

JB76.....(Base and Mobile).

Remove shorting wire from the $6\frac{1}{2}$ turn end of the 9 turn
tank coil.
Replace the wire removed, to the $2\frac{1}{2}$ turn end of 9 turn
tank coil.
Remove the 15pf capacitor and replace with 68pf.

JB-One-SS.....

See drawing below:



Remove jumper between C and B.
Reconnect jumper between A and B.
Add a jumper from C to D.