

GALAXY 2100

GALAXY 2100

AM/FM/LSB/USB/CW. 271 channels (26,515-28,305) A nice looking unit with a true frequency counter, but only 5 digits. (More on this later). Has a Roger Beep but no switch. Uses the MC145106 chip. Standard output power, good modulation, and power is relatively flat. Another new unit with no schematic! Has a dual clarifier and both track on TX and RX. +/- 7.5 KHZ. Has a 3 position rotary switch and a HI/LO push button for the 6 bands. Apparently the manufacturer of these units has something against 6 position rotary switches. Personally I find this clumsy and inconvenient for switching. Unit is excellent on receive and adjacent channel rejection. Has an SWR function and a Ch 9 switch. (This won't be used and would have made a nice Roger Beep switch.) Also has an ON/OFF switch for the counter. Be prepared to lay out some BUX as Dealer's cost around \$250-\$260 and will have to be sold for \$300 plus. Will be out of most peoples price range but so are Mercedes. All in all, a pretty nice unit.

Received some of the following from an anonymous source and some by experimenting.

Roger Beep

Remove J9 from the front right corner of the board (right behind meter) to de-beep or replace J9 with a switch. CH 9, NB/ANL, counter ON/OFF, etc. Caution....There will probably be a red wire soldered to J9 on the top of the board. It must be resoldered to the front connection of J9 on the front of the board or the counter will not have power.

Frequency Counter

Had the following problems with the counter. Frequency read on freq (at least the 5th digit was a 5) in center detent of clarifier. On TX my bench counter showed unit actually transmitting 1 KHZ high. Reset synthesizer on all Modes and both HI/LO bands and counter now read 1 KHZ low. Removed the cover from the counter box and attempted to adjust the trimmer capacitor on the right end of the board. It was already at max and would only go down. Found that additional trimming is sometimes required on the 10.6975 crystal on the left side of the board. A small cap (4-6 pf) from the high side of the crystal to ground will lower the frequency readout, a 2-6 pf in series with this leg will raise the count. Found a 6 pf cap from high side to ground. Remove this and count went up but was then out of the range of the existing trimmer cap would not come down far enough. Finally replaced this with a 2-8 pf variable cap and mounted it for access from the top of the board. Was then able to tune in AM & LSB but USB still shows 1 KHZ high. This is because USB is uncompensated. The single black wire coming from box is for LSB, the gray wire is AM. Since the counter is only 5 digits it will work ok for AM but without a 100's digit it does not permit precise tuning for SSB operation. I realize that with 6 counters and 6 digits that the 100's digit would have been unstable and flickered from one number to another but this would have been simple to correct. All it would have needed was a counter for the 100's and 10's but no readout for the 10's digit.

Problem Areas

The variable resistors in this unit are very poor quality. Had problems with 3 of them on this one unit. AMC, AM/FM "S" meter, and AM Pwr. You can anticipate some problems here.

GALAXY 2100 continued:

Miscellaneous

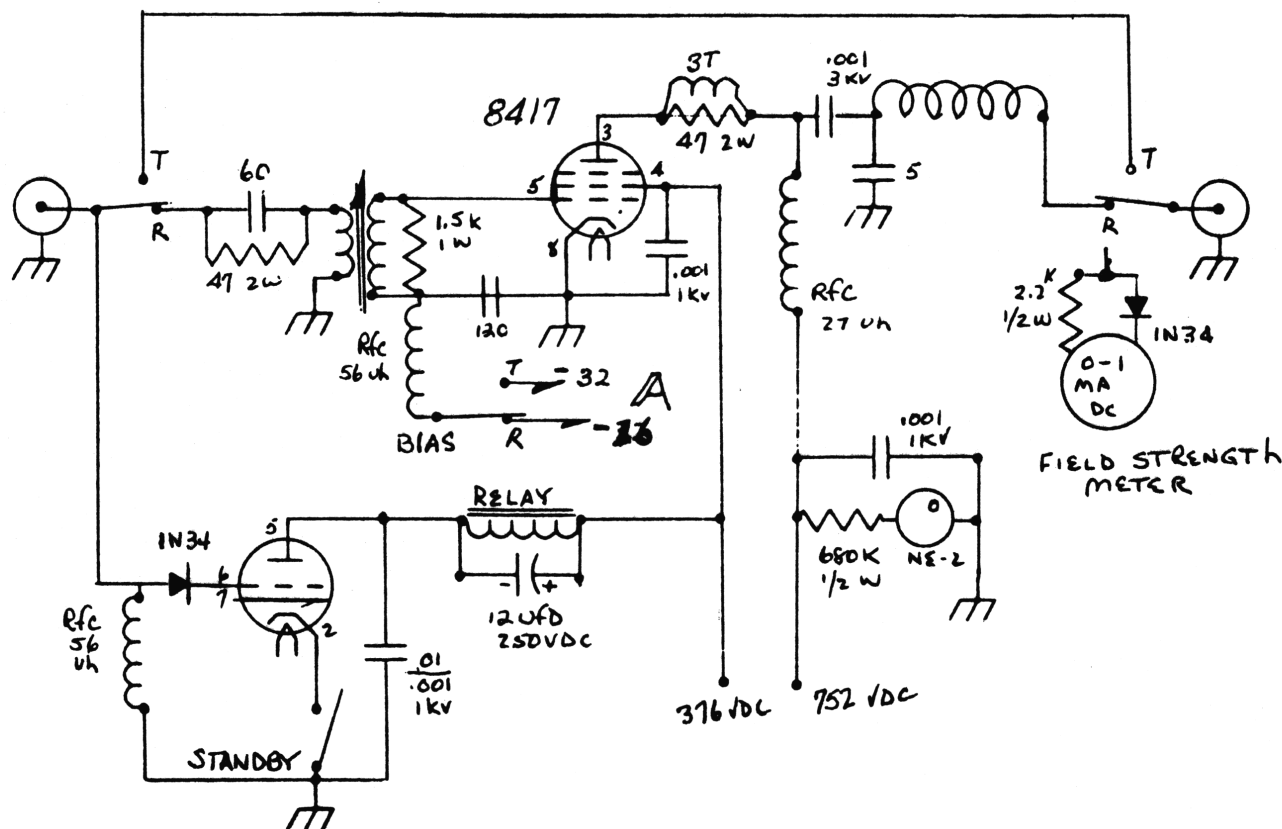
If audio quality is poor, remove IC 4 and replace with an ECG 778A. I understand that many of these chips are bad. The Ch 9 switch on this unit stuck in the "ON" position.

Second Unit

Had similar problems on the frequency counter. SWR/CAL switch on this unit sticks. Look for some problems.

Whereas this is a decent unit, with no serious problems, I'm still concerned that no schematic is or will be available. This could cause some problems. Maybe we should ask the Distributor up front if schematics are available for a particular unit. If the answer is "no", maybe our answer should be "no" about buying it!

'BLACK CAT' 150A/RB - R. F. AMPLIFIER



DOSY & JO GUNN PARTS SOURCE

If you have a meter on the outs labeled as above, you're in luck! The manufacturer of these meters is very co-operative. They have a service department, and answered my request for a schematic within six working days.

Elkhart Enterprises Corporation, 25856 Forest Hill, Elkhart, IN 46514