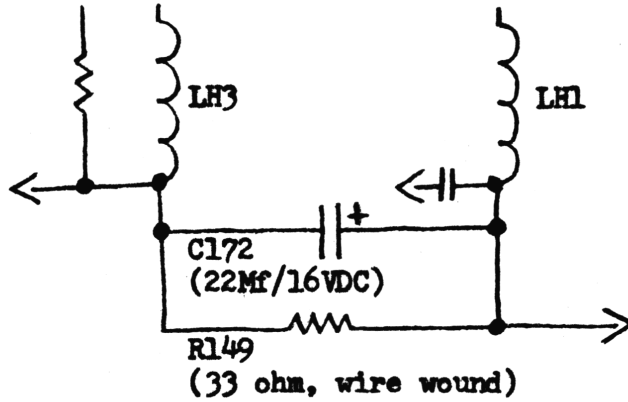


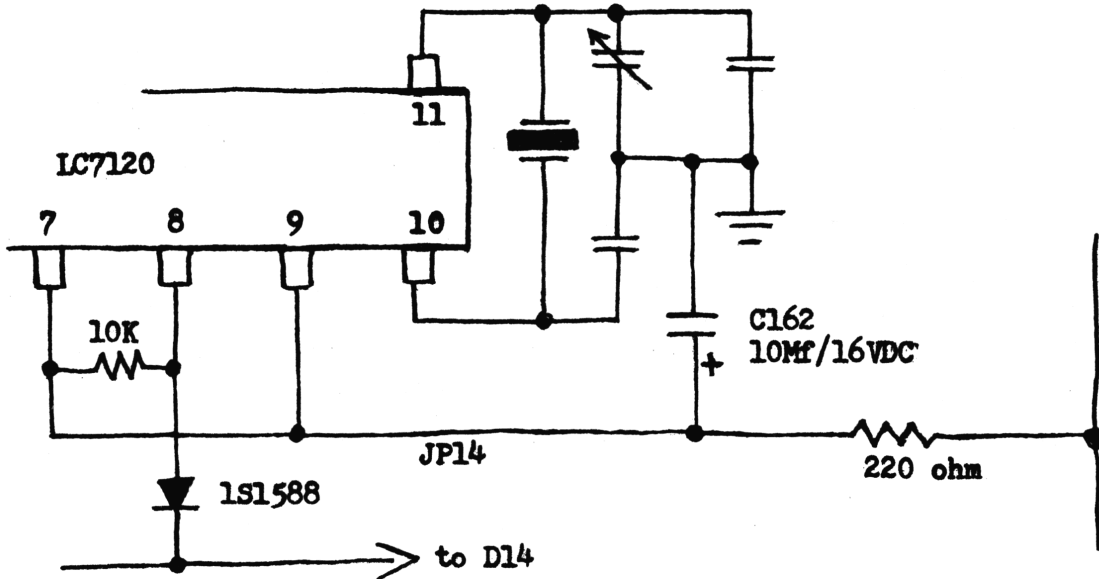
FORMAC 700 (Export) - UPDATE
by R.M.

Some major main PCB changes from the Formac 240 are noted below; (Reference to Formac 700, S/N: 500194).....

DRIVER/FINAL, Collector circuit feeds; only those items with values are new.....



PLL, timing and logic; only those items with values are new.....



Other component changes; IN SOME UNITS....

C1, and C9 are 150pf. R4 is 270 ohm. R49 is 220 ohm.

C65 thru C69 are deleted.