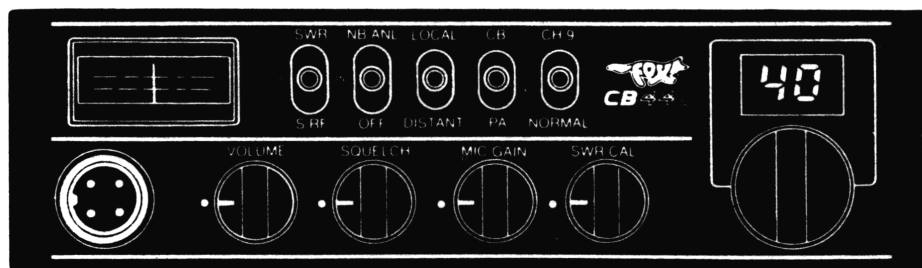


Fox 440, (IC7132-PLL)



S/N: 50100845, out of the box.... 3.2W, 40% modulation at max mike gain.

SPECIAL NOTE: "Q.C. INSPECTED", tag on rear of chassis.. Reason for mention is that exterior of case was 'touch-up' painted, and also had spot they missed? I guess this is what "Q.C." means; also the covers don't butt up against each other.

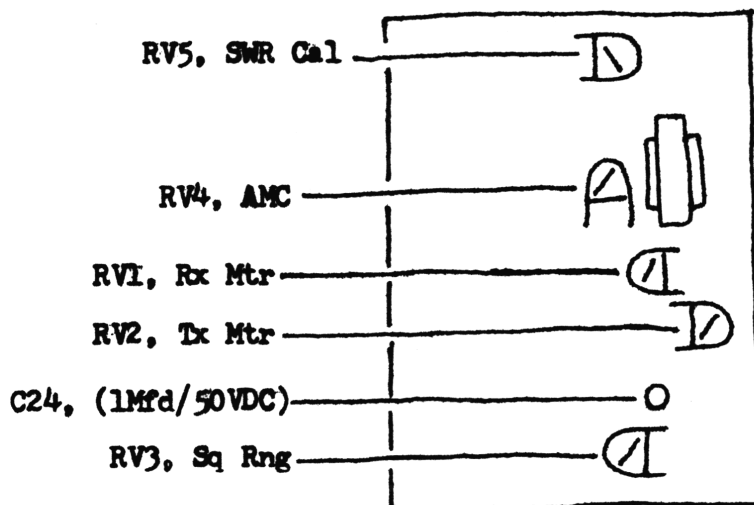
Tune-up: TX - L7, L8, L9, L10, L11, L12, and L14.

RX - L1, L2, L3, L4, L5, and L6.

RV1 - Rx Mtr, RV2 - Tx Mtr, RV3 - Sq Rng, RV4 - AMC,  
RV5 - SWR Cal.

C24 was changed to 3.3Mfd/50VDC for additional noise limiting.

Final setup after tune-up was: 4.2W/100% modulation at max mike gain.



A GOOD schematic of this unit is also needed.....

---

Fox units (240, 340, 440)

Ed. note

Overall these units were surprising on the rejection, seems that someone is waking up at the MAXON factory in Korea.