

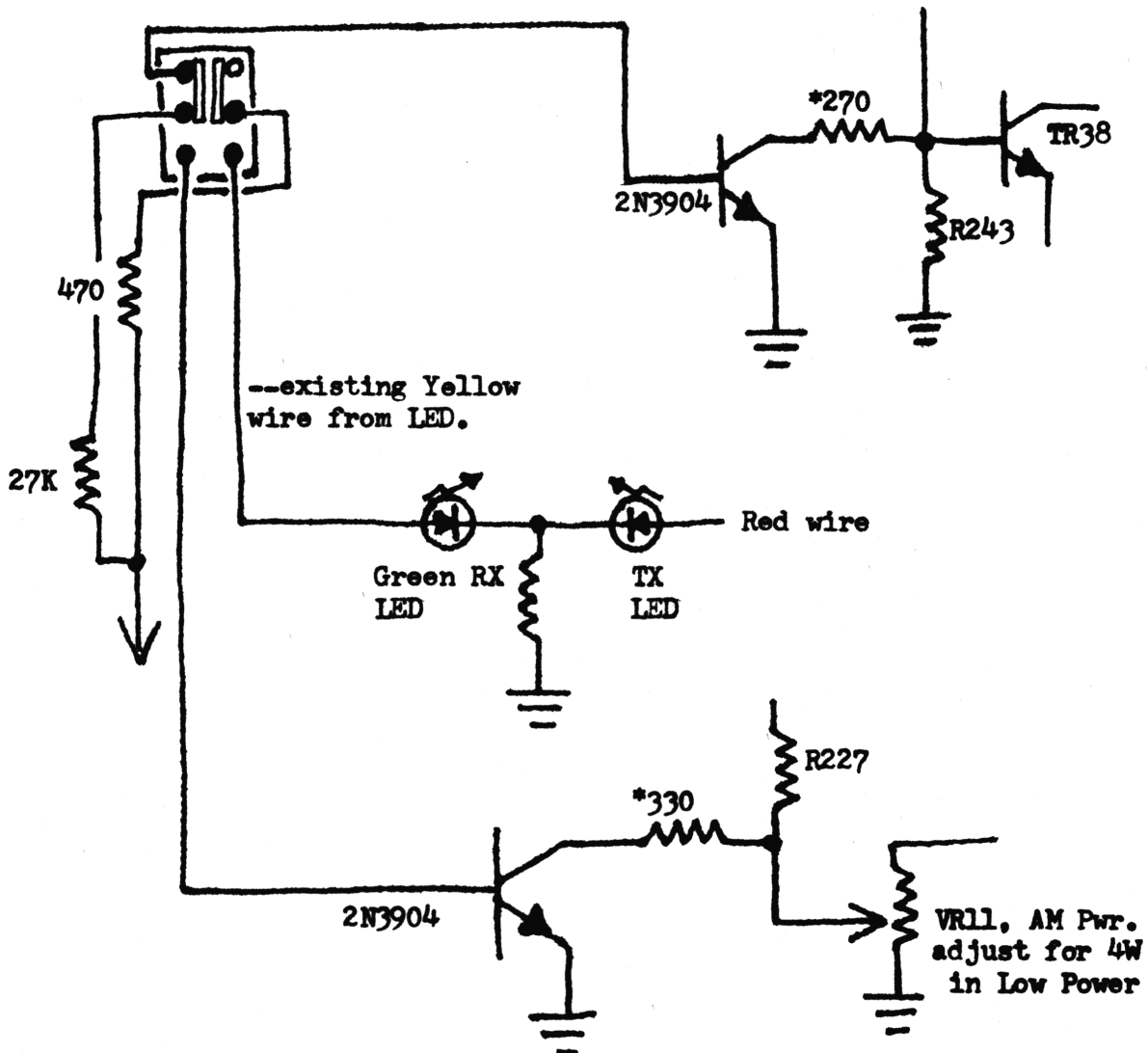
Jackson Power Switch Mod.
by Lescom

Yep, another modification for Hi/Low RF Output Power.

This version utilizes the present Dual LED (Rx-Tx). Green Rx side is disabled and rewired to indicate Hi Power.

Use schematic below for "building" new switch — an existing push button switch can be 'hardwired' and used for this purpose.

DPDT Switch - shown in Low Power position



* a 500 ohm trimmer may be substituted by wiring as follows..

VR8 is now SSB 'HI POWER' adjustment.

