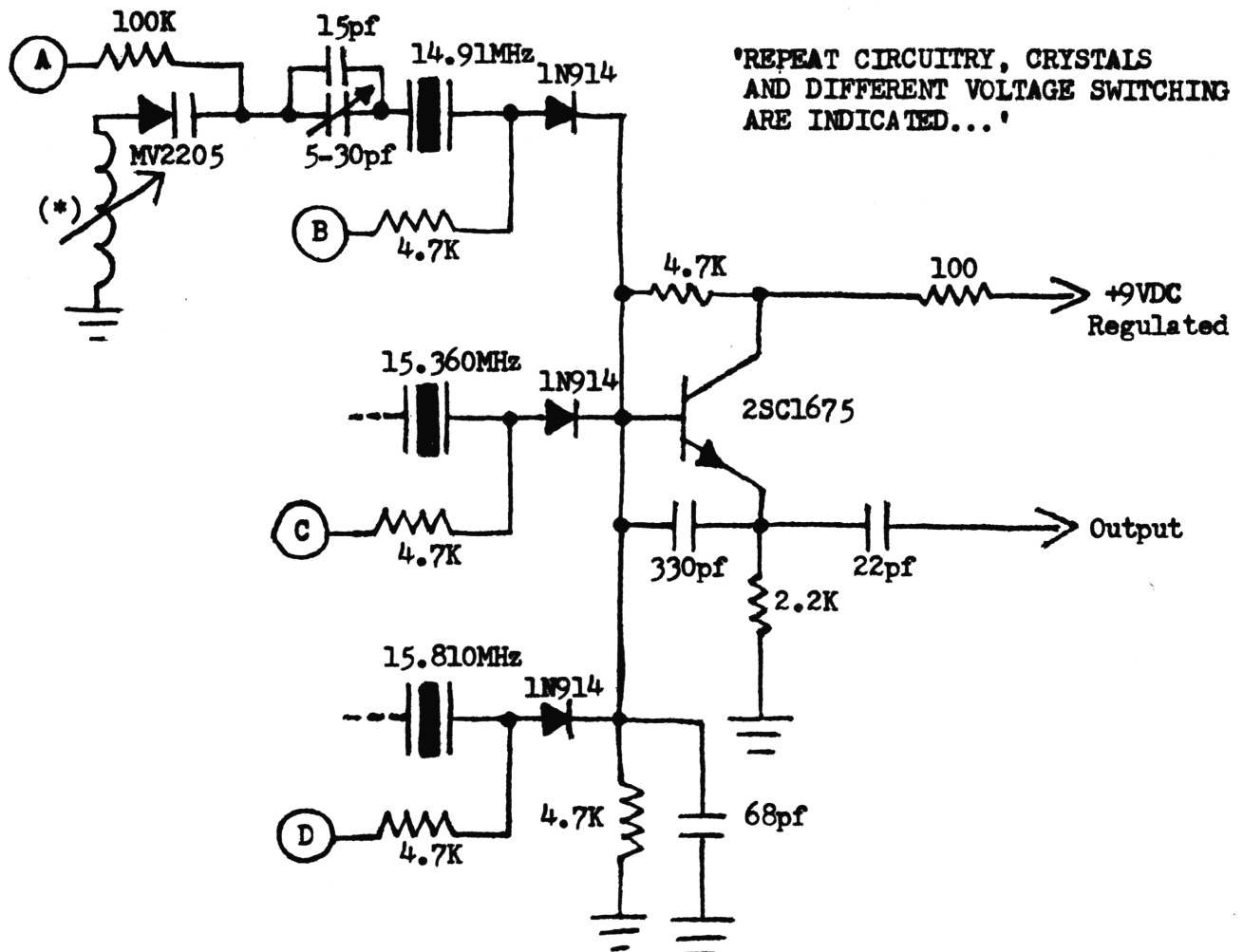


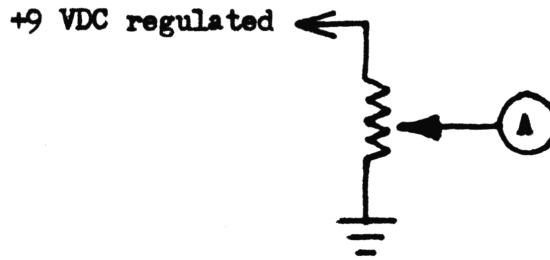
Frequency Conversion - 26.515-27.855MHz

1. Remove D49, no replacement.
2. Remove the Blue wire from point 22.
3. Trace the Yellow wire from point 22 to junction of L17/D26, remove.
4. Solder the Blue wire removed in step 2 to junction of L17/D26. Connection should be made from mode switch to above point.
5. Locate the 'holes' labeled for C97. Capacitor is not there. Connect the Yellow wire to the + hole. Check for 8.5VDC on Q36 emitter.
6. Build the circuit as shown below:

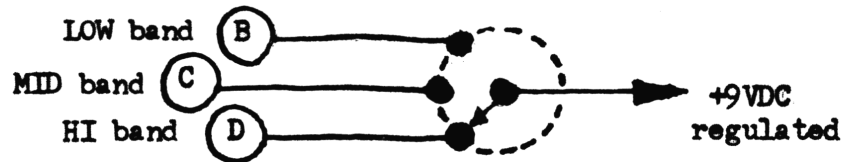


(*) 3-7_mH chokes are J.W. Miller #9051.....

7. 'A' is from center tap of clarifier, see drawing below:



8. 'B', 'C', and 'D' are switched voltages, via new 'band switch' see drawing below...



9. Inject the Output of circuitry to junction of C16, C15, C21, and L1.....(See Sams #285, circuit trace 156)

10. With the pin 10 input left connected and the oscillator switched off, the normal 40 channels are available, or add new xtals and associated circuitry, and disconnect pin 10 by lifting C16....

READ THE SPECS!

Recently had a request to set up a Bass boat with CB radio and antenna. Antenna had to be a fold-down type as would be in the way if not.

Having used Shakespeare Marine CB antennas before, gave them a try again. This time I ordered the 'Little Giant', Model 4050-B 3 foot.

BEWARE...Don't use this antenna, as the SWR is BAD! With an antenna matcher could get SWR down to below 2.0 for only about a 15 channel range. Sent antenna back to distributor for credit. I was out the shipping fees, both directions! Had I read the Shakespeare spec sheet, would have seen their specs: Nominal VSWR channel 1 and channel 40 - 3.0:1, channel 20 - 2.0:1 or less. Should have been more, not less on SWR specs..

Found an antenna system that works!! Antenna Specialists Model ASMR251. White 4' Bass Boat Antenna, fold-down mount, 6' cable..... PERFECT....