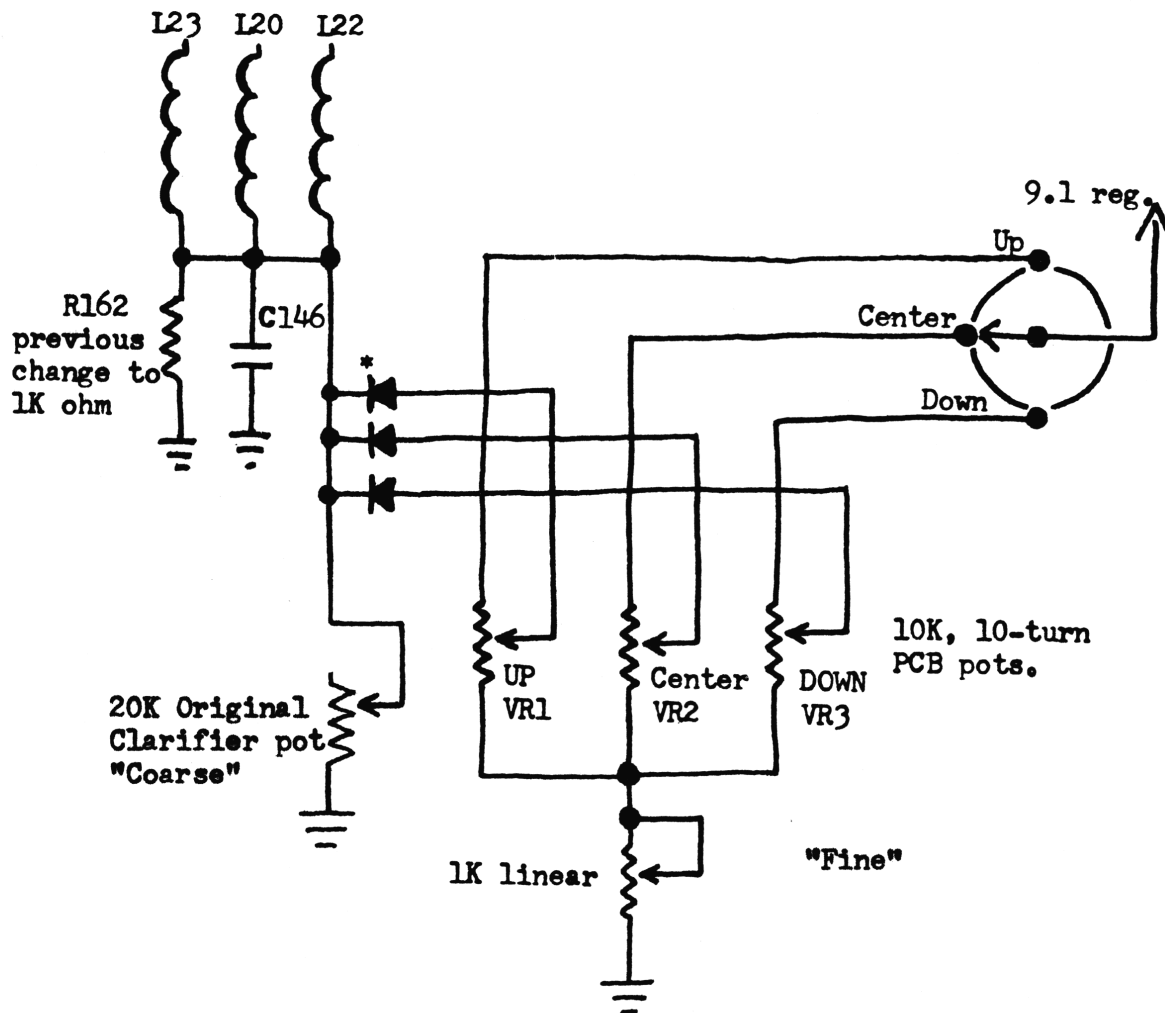


UPDATE: 5KC Switch - 858 SSB Chassis  
by L.J.

This is an update for Vol. 21, pg. 30: For those who still want a "Coarse Tune". (See Volume 21, pg 30 for parts list).



**Alignment:**

Set both the Coarse and Fine Tune pots to center position before 'calibrating' the switch.

UP - adjust VR1 for +5KHz of center Fo in TX mode.

Center - adjust VR2 for center Fo in TX mode.

DOWN - adjust VR3 for -5KHz of center Fo in TX mode.