

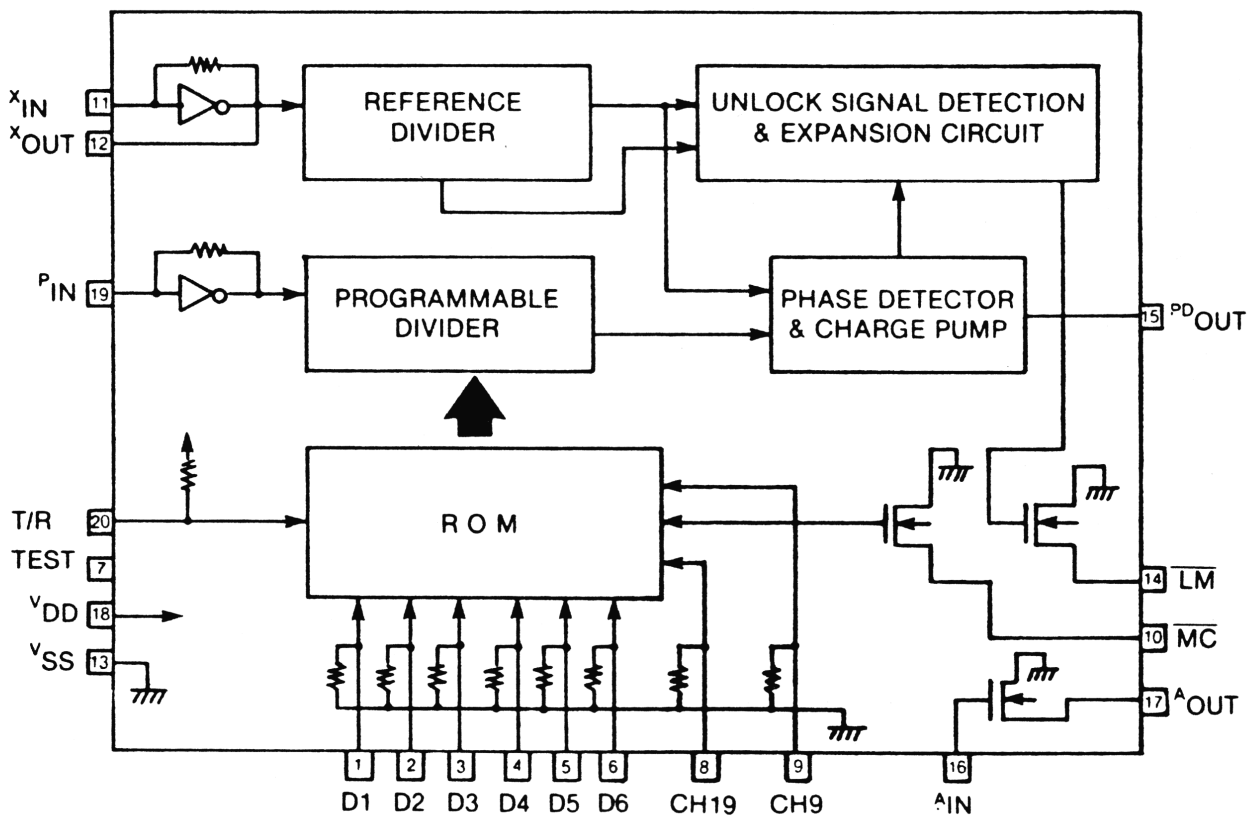
Trouble-Shooting:

Uniden PC-9: A constant problem is cropping up where the channel selector is soldered to main PCB. PCB is flexing and breaking at the solder joints/crack/break etc. Re-wire using wire jumpers...Check 1st if you run into problems with a unit!

President AR-7: DO NOT REMOVE TR17.... AMC defeat is D8...

PLL PINOUT

LC 7131



D1-D6	: Channel data input (BCD [D1 . . . LSB; D6 . . . MSB])
X _{IN} , X _{OUT}	: Crystal oscillator amplifier
V _{DD} , V _{SS}	: Power supply
MC	: Mis-code indicating output
LM	: Out-of-lock output (low when out-of-lock)
PD _{OUT}	: Charge pump output
A _{IN} , A _{OUT}	: Amplifier for low-pass filter
P _{IN}	: Programmable divider input