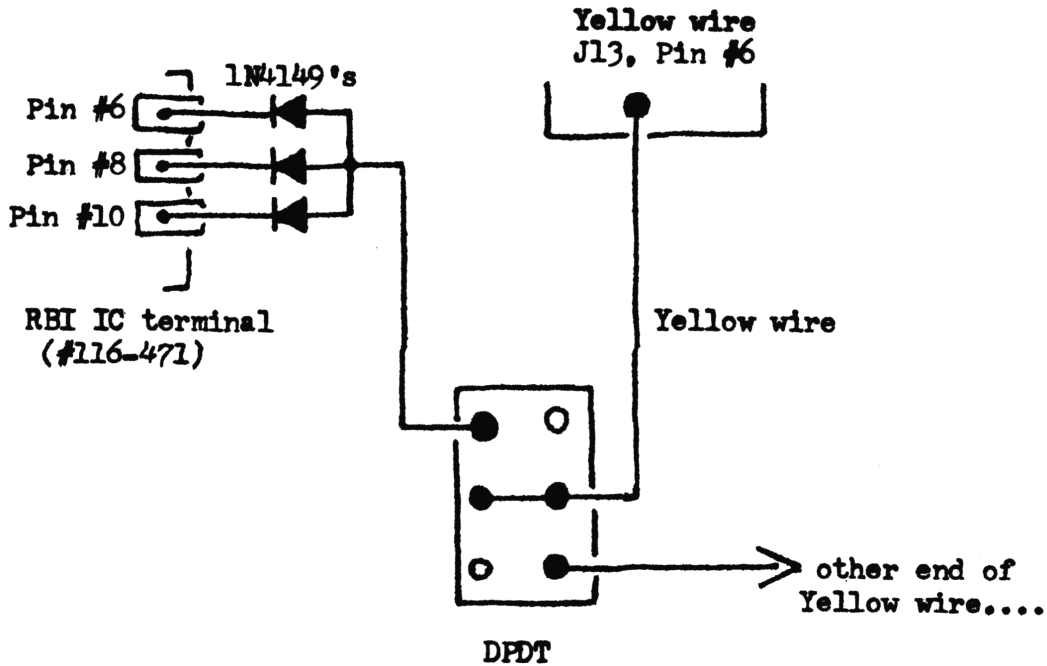


"Theory, Not Checked Out"  
by Editor

Kenwood TS-120/TS-130 11 Meter Modification

With the following switch arrangement should be able to have 10 and 11 Meters both. Also the 'Fo Meter/Readout' should also track in both..... Want some feedback on this.....

Use same principals as modification on page 12.



Theory: Up - regular 10 meter operation

Down - new 11 Meter operation, with meter tracking correctly.

---

'Philips ECG' - Specifications and Master Replacement Guide  
by Editor

I use this as a reference in most situations, and most SCB suggested substitutions are for ECG line parts.

If you don't have copy or need to know where to get, call 1-800-225-8326 (Mass. 890-6107) and ask for closest distributor. OR... send \$3.25

to: Philips ECG, Inc.  
Marketing Services Center  
70 Empire Drive  
West Seneca, New York 14224

Will get you guide and supplement..