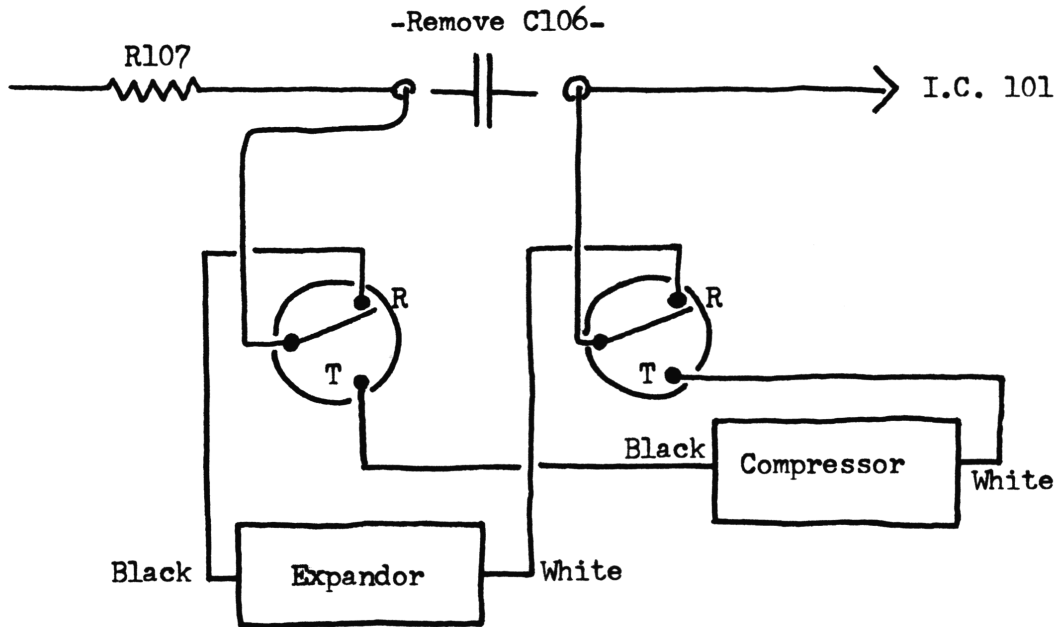
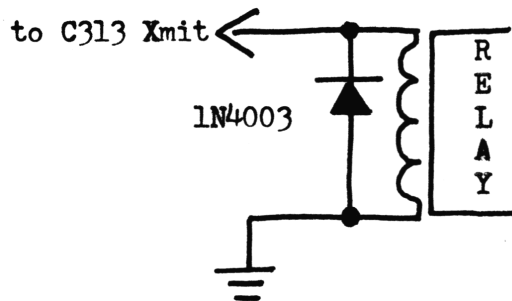


SHARP CB-2460: Vol. 11, pg. 17 is correct as written for 4PDT relay.

For DPDT relay use the wiring diagram below may be used.....



Wire the relay up as shown above, keying line below:



SPECIFIC TUNEUPS

Sears 23, 934-3671160: RT1-RF Gain, RT2-RX Mtr., RT3-TX Mtr.
Tune T1, T11, T12, T13, T15 for max forward. AMC disable is D7.
If final goes bad, don't replace with same 2SC1909! Use a 2SC1306.

Sears 663-38030050, TC9109BP-PLL: VR1-RX Mtr., VR2-Sq Rng, VR3-TX Mtr.
Has 2SC2028 Driver, 2SC2029 Final, with mica insulators. Rejection is very good. AMC defeat is D7.

G.E. 3-5816A, TC9109BP-PLL: RV1-TX Mtr, RV2-RX Mtr, RV3-Sq Rng, RV4-AMC.
Coils L5, L6, L7, and L8 are not tunable - spread or compress for max forward output.