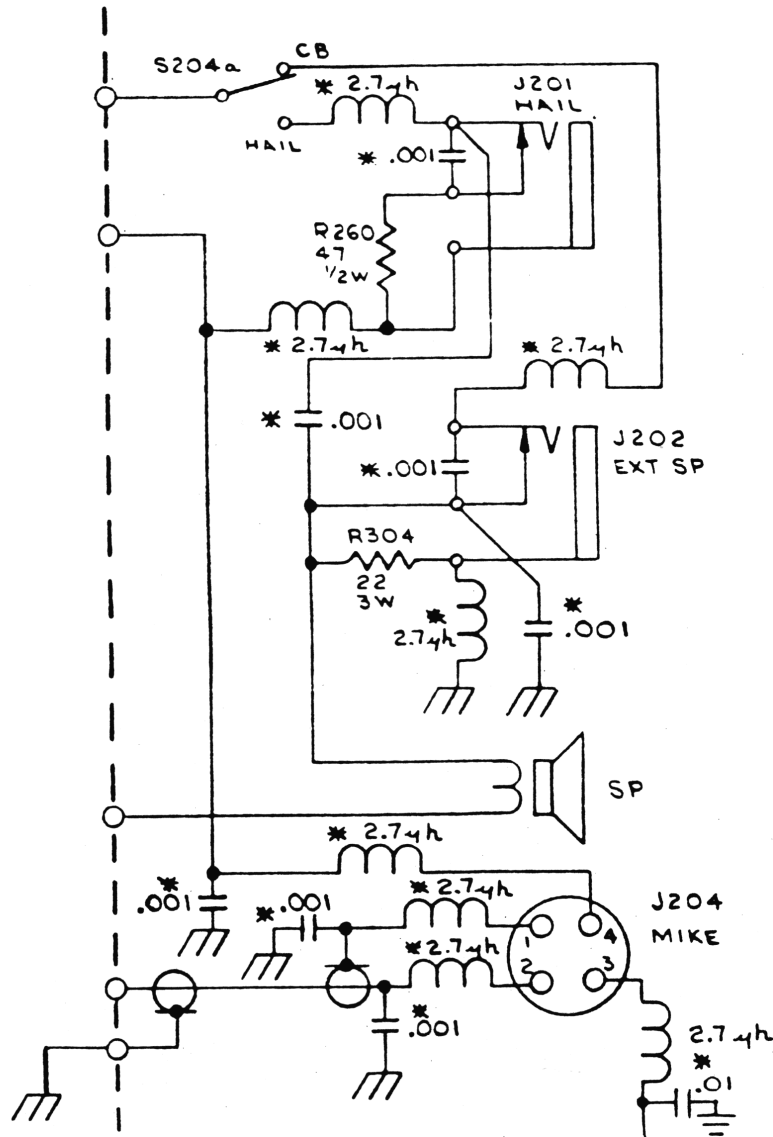


UPDATE: HORIZON 29A, Schematic Change



Above diagram shows revision to mike and speaker circuit for the Horizon 29A. Check against your original schematic or SAMS. Parts added are indicated with an asterisk (*).

SALVAGE THOSE BATTERY-OPERATED IRONS

Replacement batteries for the battery-operated irons are hard to come by; and if you do find are \$\$\$\$. Use the schematic diagram and theory in SCB 17 pgs. 49-50. (As a guide - as the circuit doesn't provide enough current!) Ideal specifications are 2.5VDC at 2.5Amps; this way will save on tips also. Just remove old batteries and hook up the new power source to connections.