

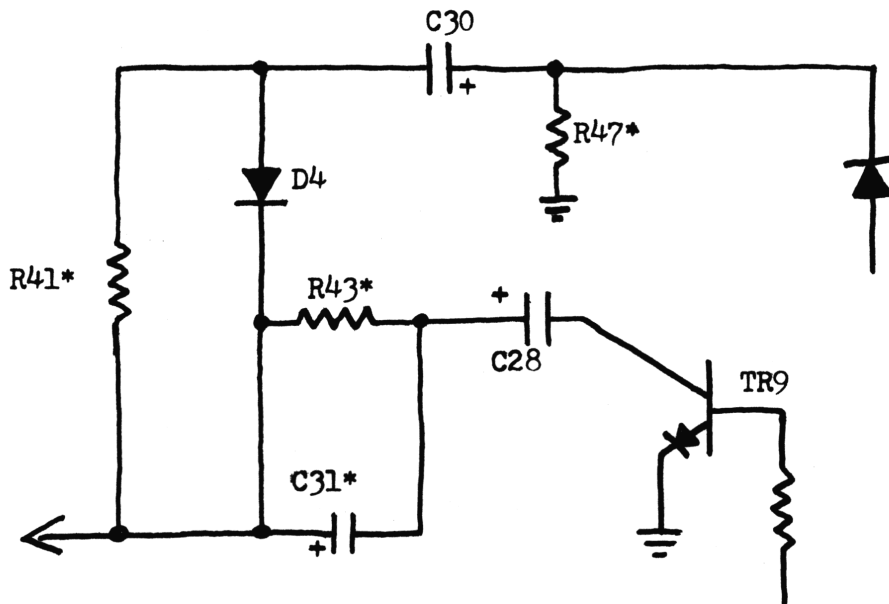
Jackson: Audio "Distortion/Blaring"
by R.M.

At close range the Jackson has the problem of receive SSB audio being distorted, the RF Gain has very little control over this.

By removing/changing the following parts can be cured:

1. Remove C-31 (0.47Mfd/50VDC electrolytic), no replacement.
2. R-43 (10K); change to 1.5K.
3. R-41 (150K); change to 270K.
4. R-47 (1.5K); change to 3.9K.

See partial schematic below of components to be changed: (*)



Pacific 800 SSB - Feedback

"C-Team" had this in their files: IC1 - SL1611C can be obtained from Dynascan (Cobra). Reference is IC512, P/N: 307-152-9-011 (Fo Cntr. Circuit.); of the 2000GTL.

IC2 - SL1612C can be obtained from Pathcom (PACE), while supplies last. Reference is IC2, P/N: IP20-0427; Pace Mdl. 8093.