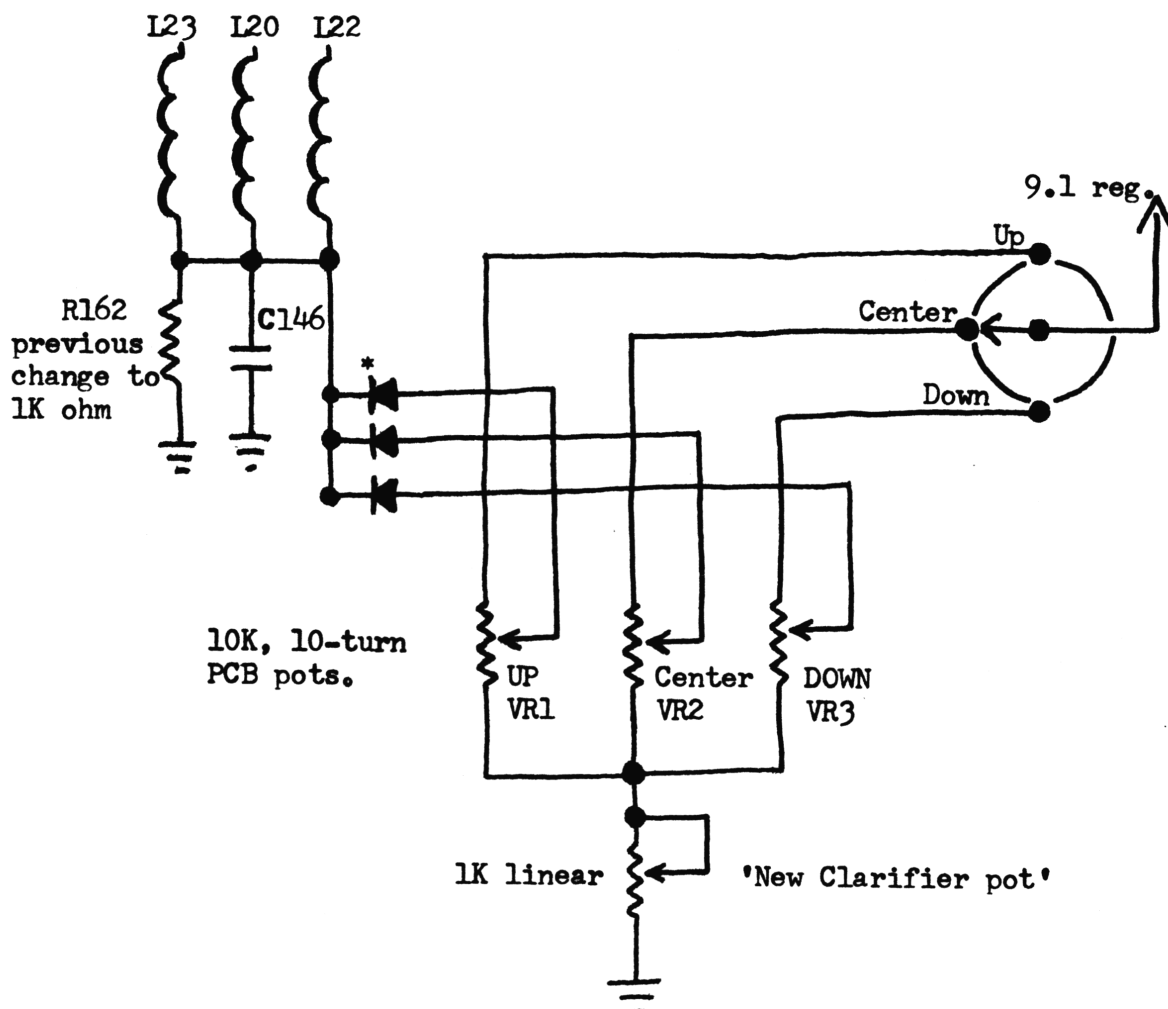


## 5KC Switch for 858 SSB Chassis

by L.J.

Radio must have prior 'slide modification' to + and - 5KC (MINIMUM) of center Fo. "Also will only be exactly on frequency in the mode which was aligned - aligned in LSB, then correct reference is to LSB."

New parts needed: 3 - 10K, 10 turn, PCB mount mini-pots.  
1 - 1K linear taper (will replace original 20K clarifier pot, so make sure has identical physical specs.)  
3 - 1N4148 or 1N914 diodes\*  
1 - 3 pole rotary or ON-ON-ON toggle switch.



### Alignment:

Set new clarifier pot to center position; mode switch to whichever mode you want to 'calibrate'.

Set 5KHz switch to UP, adjust VR1 for +5KHz of center Fo in TX mode.

Set 5KHz switch to Center, adjust VR2 for Center Fo in TX mode.

Set 5KHz switch to DOWN, adjust VR3 for -5KHz of center Fo in TX mode.