

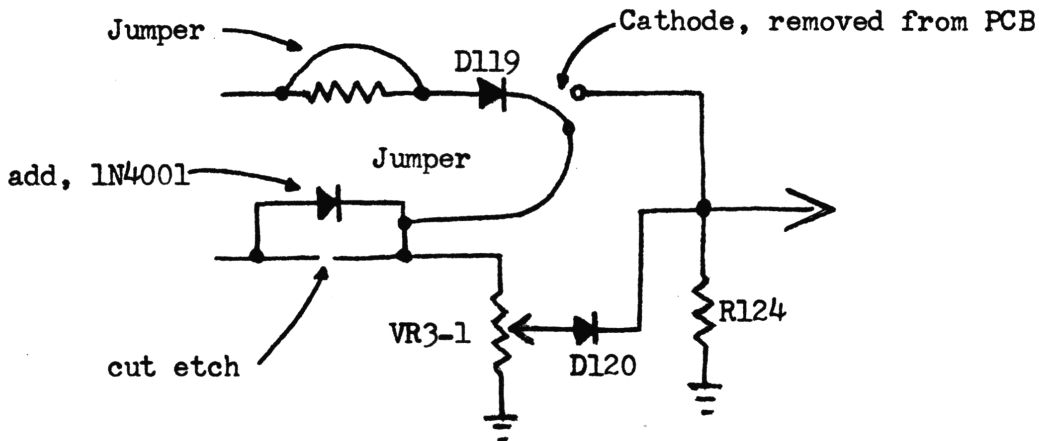
K-40 SSB (IC7131-PLL) Clarifier Mods.

Received two different modifications on this unit, both below:

#1.....by L.S.

- A. Cut PCB trace from RX B+ to VR3-1 and insert 1N4001 in line.
- B. Solder jumper across R125 (22K).
- C. Lift Cathode end of D119 out of circuit and using jumper, attach to cathode end of 1N4001 inserted in Step A.
- D. Clarifier will now shift both TX/RX approx +3.5, -6KHz.

Drawing for #1 mod.



#2.....by C.C.

- A. Cut PCB etch line on RX B+ going to VR3-1. (Isolate the pot's terminal completely).
- B. Run jumper on etch side of board from the emitter of Q401 to isolated terminal of VR3-1. (Emitter Q401 is 9VDC regulated source.)
- C. Remove D119, no replacement.
- D. Remove R124, change to 1K $\frac{1}{4}$ W 5%.

Drawing for #2 mod.

