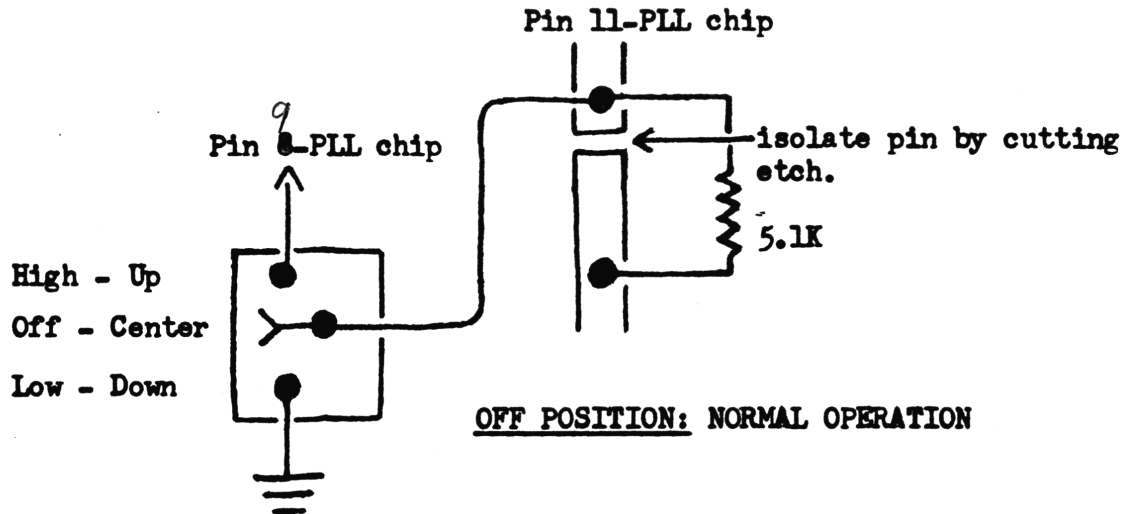


GRANT-DX (Fo Mod).  
by D.G.

By using just one SPDT-Center Off switch; and a 5.1K 1/4W 5% resistor; can get coverage from 26.335-28.055MHz. Wire up per the diagram below. (See Vol. 19, pgs 34-36; for additional info.)



Band Sw. High - Sw. High: 27.865-28.055MHz (Selector: 12-28).  
Band Sw. Low - Sw. Low: 26.335-26.505MHz (Selector: 12-27).

**Fo Chart:**

Band Low/Sw. Low .

12.....	26.335MHz
13	26.345
14.....	26.355
15	26.365
16.....	26.385
17	26.395
18.....	26.405
19	26.415
20.....	26.435
21	26.445
22.....	26.455
24	26.465
25.....	26.475
23	26.485
26.....	26.495
27	26.505

Band High/Sw. High

12.....	27.875MHz.
13	27.885
14.....	27.895
15	27.905
16.....	27.925
17	27.935
18.....	27.945
19	27.955
20.....	27.975
21	27.985
22.....	27.995
24	28.005
25.....	28.015
23	28.025
26.....	28.035
27	28.045
28.....	28.055

Just hard-wire an existing 'useless' switch and install a 3-position slide switch, and you got it.