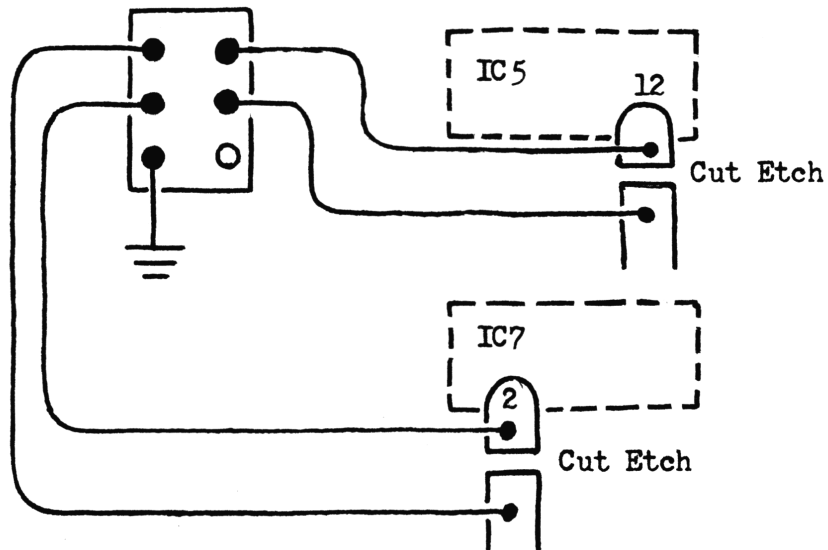


JACKSON: Another Sw. Mod, Low/Lowers
by L.J.

Switch is ON-ON-ON type: part # CK7211 or MST205PA.

Following wiring diagram below:



See pages 32 and 33 for frequency chart/selector position.

As wired above, and ground down: Switch Down - Normal Fo's
Middle - Low
Up - Lower

JACKSON - TROUBLE SPOT

I.C.-4 (NJM4558S), Uniden Part # is 2000-0069, cost is about \$3 ea.

Delete (~~ECG cross is ECG-778A, but at about \$5 ea.~~)

Cobra 150GTL - N E E D

Calls abound on this unit for a schematic and copy of Owner's Manual.

SCB has absolutely nothing on this unit in it's files. - Sorry!

If anyone has an original schematic and copy of Owner's manual, would appreciate the loan of it. Hard to believe there are that many inoperative units out ?