

JACKSON: "Quickie" - Fine Tune Unlock
by L.J.

1. Remove D58, no replacement.
 2. Remove Brown wire at Fine Tune where it connects to Sw. PCB.
 3. Reconnect to cathode D69, wire removed in step 2 realign.
-

JACKSON: Trouble Spot - I.C.-4 (NJM4558S)
by L.J.

Uniden Part #: 2000-0069

IC4 Voltages with Roger Beep sw. ON.....

<u>Pin</u>	<u>RX</u>	<u>TX</u>
1	8.16	7.75
2	4.44	4.42
3	4.46	4.35
4	4.45	4.28
5	0.0	0.0
6	3.92	3.91
7	8.58	2.73
8	1.37	6.18
9	8.16	7.76

Also TR31 base, should read 0VDC in receive.

JACKSON: Roger Beep - 'ON', Time Change
by L.J.

To change the Beep's ON time only.. The value of R168 (47K), must be changed.....Tests have shown: 68K-extremely short, 56K-about the best, and 39K-looooong... Or put a variable 100K in place, and adjust to your choice.

EXPORT NOTES

Falcon 2000/Thunder 2000 - Fine Tune Unlock

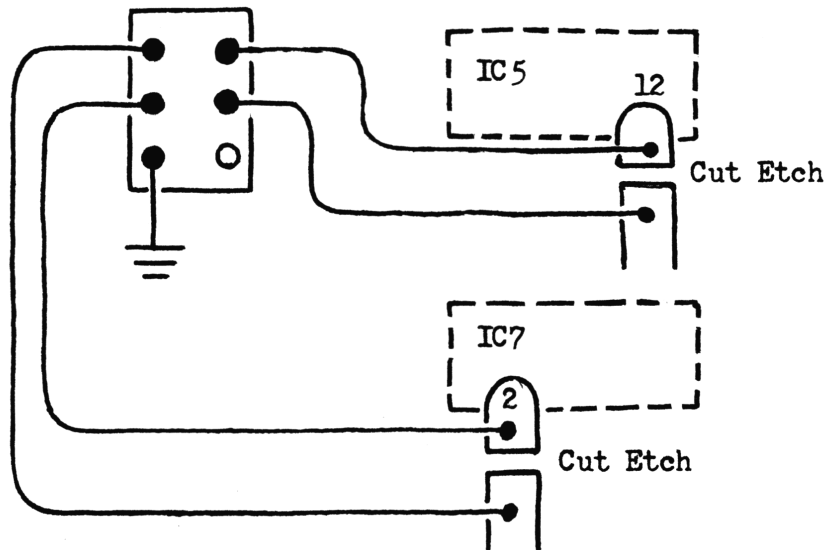
Feedback on this: Vol. 18, pg. 28 works fine
BUT - Omit step 7.

(Need specs. on both units, PLL chip, Fo Range, Multiplex or Direct - Osc 2 circuits, AM/FM/SSB/CW or what, Roger Beep ?..... Have nothing for sureit does have 02A PLL - FACT.)

JACKSON: Another Sw. Mod, Low/Lowers
by L.J.

Switch is ON-ON-ON type: part # CK7211 or MST205PA.

Following wiring diagram below:



See pages 32 and 33 for frequency chart/selector position.

As wired above, and ground down: Switch Down - Normal Fo's
Middle - Low
Up - Lower

JACKSON - TROUBLE SPOT

I.C.-4 (NJM4558S), Uniden Part # is 2000-0069, cost is about \$3 ea.

Delete (~~ECG cross is ECG-778A, but at about \$5 ea.~~)

Cobra 150GTL - N E E D

Calls abound on this unit for a schematic and copy of Owner's Manual.

SCB has absolutely nothing on this unit in it's files. - Sorry!

If anyone has an original schematic and copy of Owner's manual, would appreciate the loan of it. Hard to believe there are that many inoperative units out ?