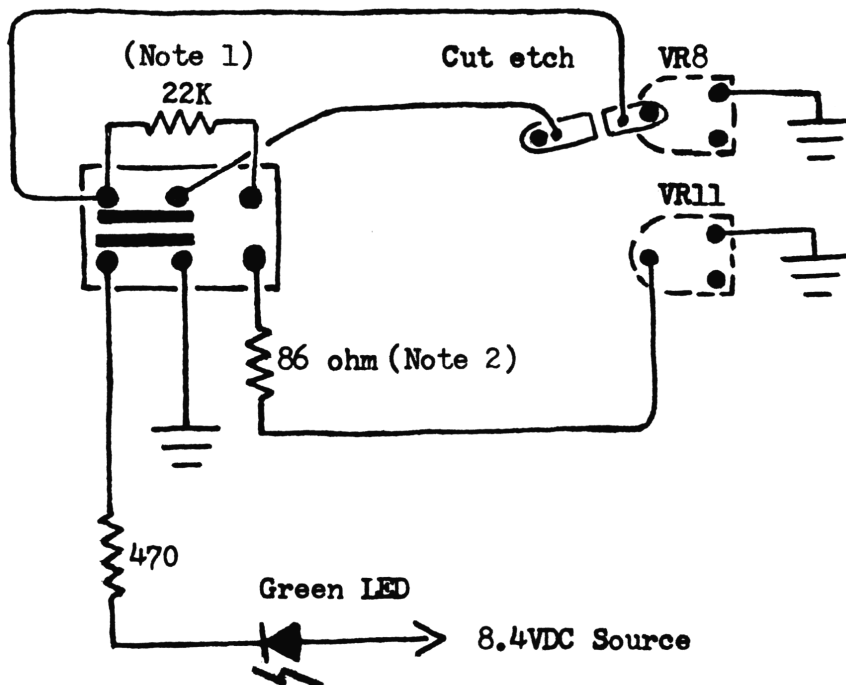


JACKSON - TX Power Sw. Mod
by D.G.

1. Rewire ANL/NB switch permanently ON (Hardwire point-to-point on PCB).
2. Rewire switch as shown below to etch side of PCB. Check to make sure that all pins on switch are isolated.

Push Button switch shown in OUT position, LOW POWER.
GREEN LED should be ON, denote O.K. to use R.F. Amplifier.



3. Install the Green LED directly above RF/S Meter. (NOTE: Will CAREFULLY have to drill a hole for this.)
4. Switch to OUT position, Green LED - ON! Adjust for following:
VR11 - 3.5W in AM Mode
VR8 - 12 to 14W in SSB Mode. (Maximum Mike Gain)

(All resistors are $\frac{1}{2}$ W 5%).

Note 1: For this value SSB power is max (around 50W PEP).
To lower the high power - reduce value.

Note 2: This value will DEAD KEY approximately 25W AM.
Increase value for lower high power.

REMEMBER: Green LED ON - O.K. to use RF AMP, or you will see RED
and SMOKE....Caution - Hazardous to your wallet \$ \$ \$ \$