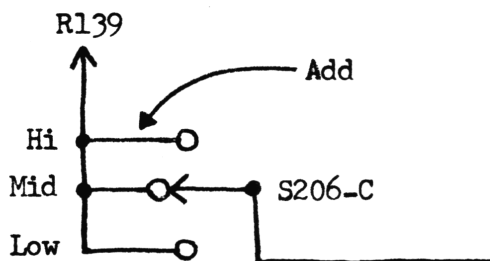


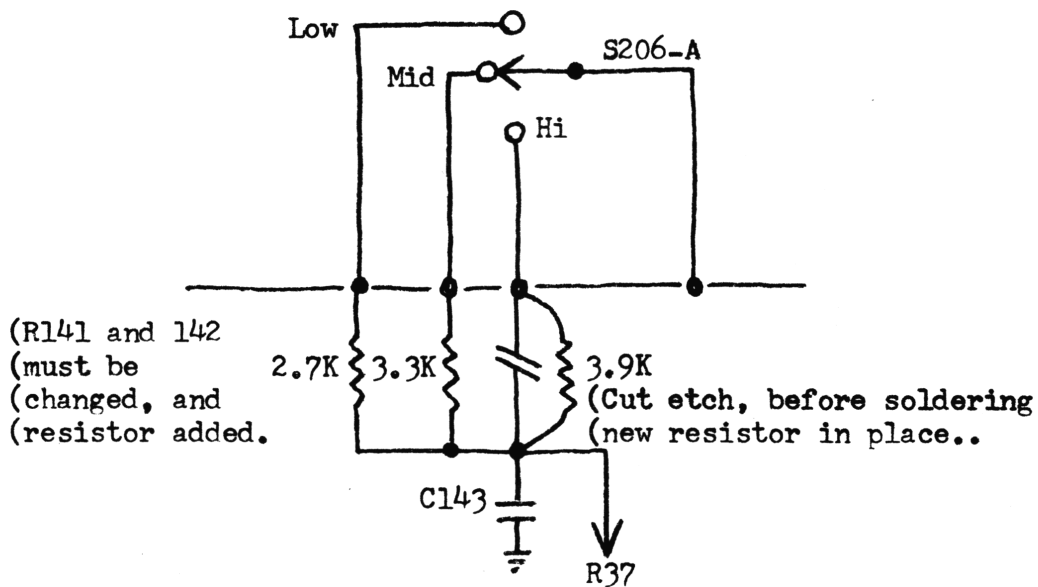
Superstar 120AM, Low Fo Mod.  
by B.W.

(Use Schematic, page 63 for reference...)

1. Remove X2 (15.360), X3 (15.810), X4 (16.895) - Carefully!
2. Put X3 and X4 in your Goodie-Box!
3. Put X2 in X4's position.
4. Obtain two new xtals - Fo's: 14.460 and 14.910MHz.
5. Put 14.460 in X2's position, and 14.910 in X3's position.
6. Band switch section S206-C must be jumpered as below:



7. Band switch section S206-A must be changed to below:



8. With above all done, slight realignment may be necessary to L19, and re-peak of TX/RX circuitry.

New Fo's are now: Low - 26.065-26.505  
Mid - 26.515-26.955  
Hi - 26.965-27.405