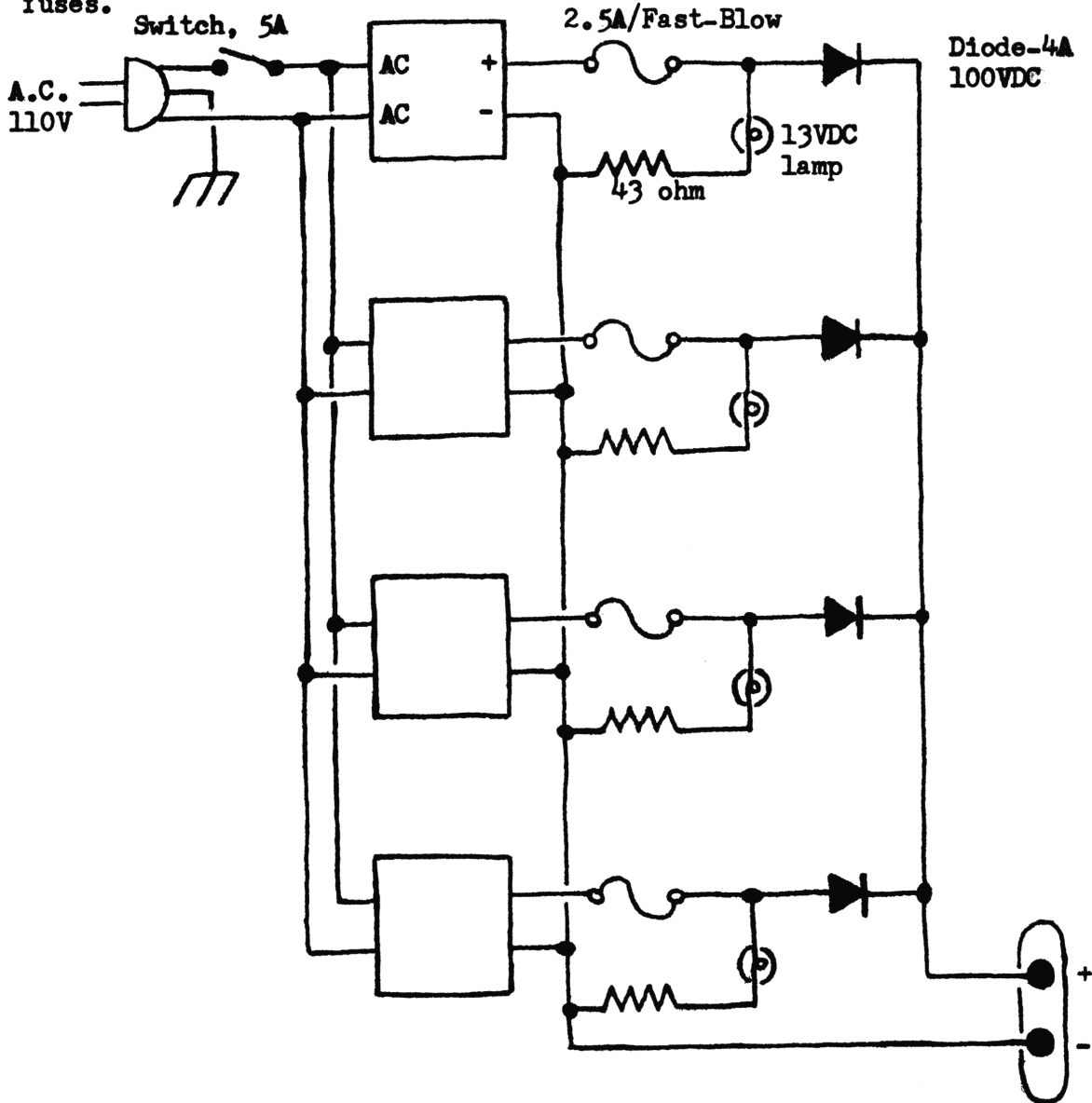


'SALVAGE OF POWER SUPPLIES'

RE: Hints/Kinks/Goofs, page 56. Use design below for assembly, as a guide. Used a block diagram for the salvaged power supplies, including transformer. CAUTION: Make sure that all A.C. lines are thoroughly insulated from the case, or use 3-prong plug/3-wire AC line for grounding.

Parts are listed for the 1st section only - check schematic for each power supply you scrounge and change fuse accordingly. NOTE: most AM base units had 2A rating, SSB 3A rating. But when used in parallel the lowest rating of any must not be exceeded by any other. Identical fuses.



The lamp circuit will determine if any fuse has blown, or P/S inoperative. Diode is to prevent 'feedback' into any particular power supply unit.