

SERVICE TIPS

"EXPORT", CYBERNET 02A-PLL AM/FM/SSB CHASSIS

by B.W.

ALL UNITS THAT HAVE THE 2SC1969: CHANGE FINAL!.....Specified to SCB

long before Vol. 3 even came into being that this transistor is no-good!

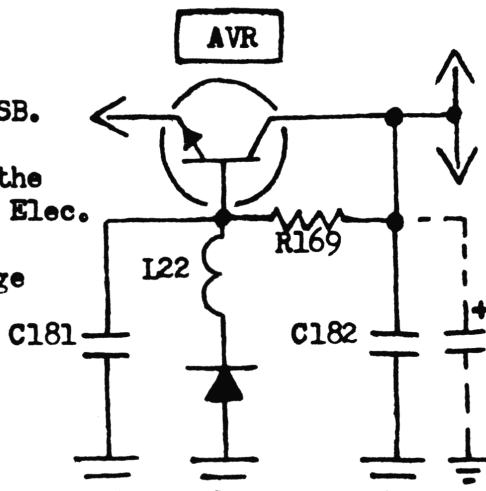
Replace with 2SC1307; adjust bias for 15ma; maximum.

The other big problem is in the AVR, (check your schematics for the right transistor, as is different marking in some chassis..) General Layout below.

Problem: Scratchy TX in SSB.

Cure: Add C184 if not in the circuit. (470Mfd/16V Elec. Capacitor.

If problems persist: change the present Xstr to a 2SD839..



Note: in most units this is Q36, and a 2SD837 or 2SD1192 is usual transistor.

C184; ADD-470Mfd/16VDC, if not in unit. Observe correct polarity!