

GRANT-DX, UPPER Fo Mod - Chart

This is the Selector/Fo chart for modification on preceeding page (34).

<u>Selector</u>	<u>Freq.</u>	<u>Selector</u>	<u>Freq.</u>
12.....	27.875	20.....	27.975
13.....	27.885	21.....	27.985
14.....	27.895	22.....	27.995
15.....	27.905	23.....	28.025
16.....	27.925	24.....	28.005
17.....	27.935	25.....	28.015
18.....	27.945	26.....	28.035
19.....	27.955	27.....	28.045
		28.....	28.055

* * * GRANT-DX: S P E C I A L N O T E * * *

(Ed. Note:) It has come to my attention that some distributors/dealers are charging 'extra' for the Slide kit. GRANT COMES WITH THE SLIDE KIT. If you have been charged extra for it; I suggest you change distributor or dealer; which ever got to you. (A charge for kit installation into a unit, I can see!)....

GRANT-DX, - SLIDE

"Quotes": "It's a shame, but the clarifier circuit flat stinks!"
 "What a waste; ruined a good unit; with lousy clarifier design!"
 "Couldn't believe it, the designer must be in the dark ages!"
 Well, that's just a few.... Had plenty, but just wanted to let you know that you're not alone.

Have come up with a different modification than the kit. Incorporates about 3 different modifications sent in, with some extra pointers. Don't have a unit to try it on ----- so want 'feedback' for Vol. 20!!

USE AMPLIFIED LAYOUT ON PAGE 36, ALL CHANGES MARKED ON IT...REFERENCE!

1. Remove D-40, D-44, D-45; clean out all holes. (Put D40 and D44 in the 'goodie' box as might have future use for.)
2. Trace outer wires on the Clarifier pot to PCB, remove both.
3. Solder the BLUE wire directly to PCB, D.C. Ground etch!
4. Solder the GRAY wire to 8.4VDC source; Zener Diode D-63.
5. ~~Remove R-158 (15K), replace with 1K 1/4W 5%.~~
6. Using the diagram on page 36... solder the 220Mfd electrolytic capacitor that came with kit into the indicated holes that were cleaned out, (sleeve leads if necessary).
7. Use 'solid' piece of insulated wire and solder at Pt. A only at this time.
8. Install - don't solder yet a 'Super Diode' in the holes where D-40 was.
9. 'Cut to length-shortest' the wire in step 7 and install in Pt. B, will have both the wire and 'Super Diode' in same hole. Now solder both and other end of diode.
10. Slide is now finished, should have approximately ? of slide.
11. If more is needed, unsolder the 'Super Diode' at Pt. C, and install in series. one of the chokes that came with kit.

DELETED
 Lower
 as
 is

GRANT-DX. SLIDE (Cont.):

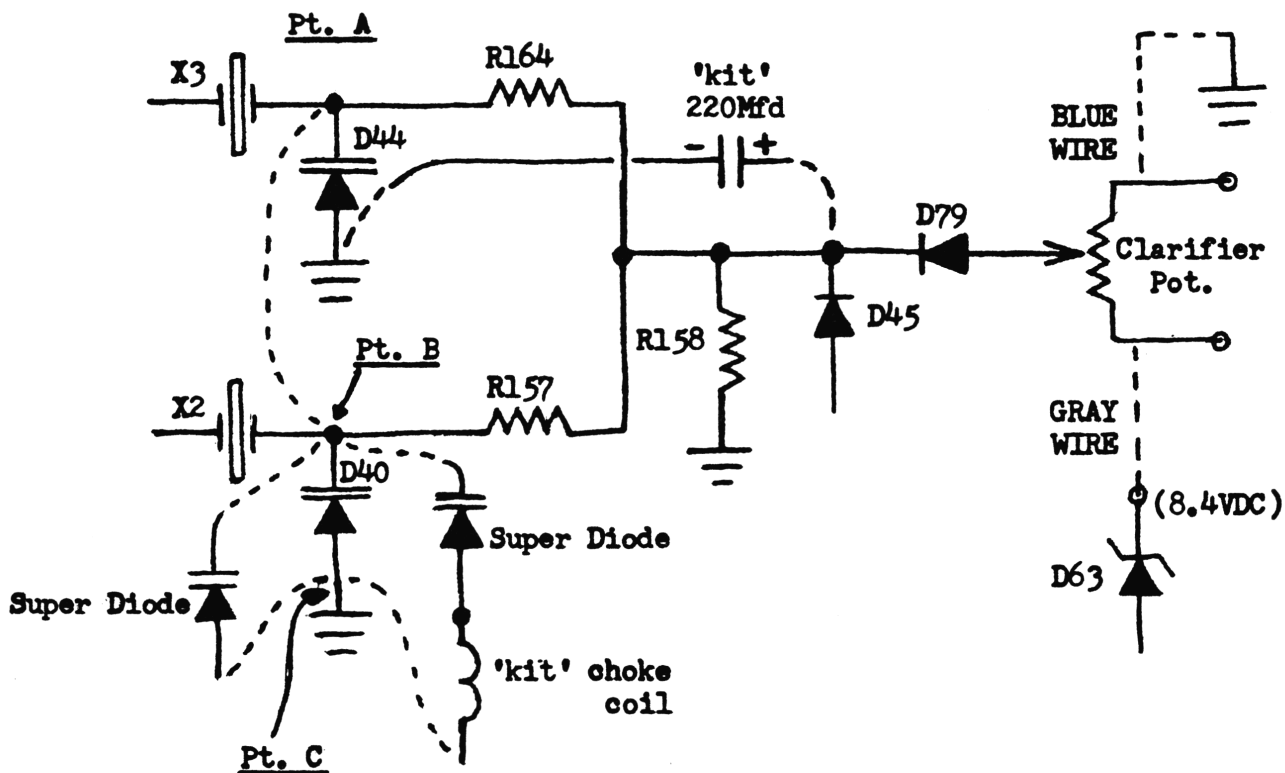
12. Slide may be individually adjusted by the following:

LOW BAND: AM/FM - L22
 USB - L23
 LSB - L24

MID & HIGH BAND: AM/FM - L25
 USB - L26
 LSB - L27

OVERALL BANDS: AM/FM - L28
 USB - L29
 LSB - L30

----- SLIDE - REFERENCE -----



Additional Grant adjustments: SSB Power - VR12 AM Power - VR13
 AM Modul. - VR14 TX Mtr. - VR8
 Final Bias - VR9 & VR10 Driver Bias - VR11
 FM Deviation - VR5 AM/FM Sq. Rng - VR4
 SSB Sq Rng. - VR3 Bal. Modulator - VR7
 AM/FM S Mtr. - VR1 SSB S Mtr. - VR2
 (VR6, was permanently disabled in modification)

Note: Performance reports on units are good, will 'fry' a linear if power is not turned down. "Double-check" all power transistors for mica insulators, as Uniden 'standard practice' is the thick white plastic type. CHANGE IF NEEDED.... Have heard of no major problem on these units to date; just the usual—stuff; 'hook-up backwards, etc.'

"2 of Radio Shack's Regulated 12V Power Supplies in parallel; will work when using as a Base."