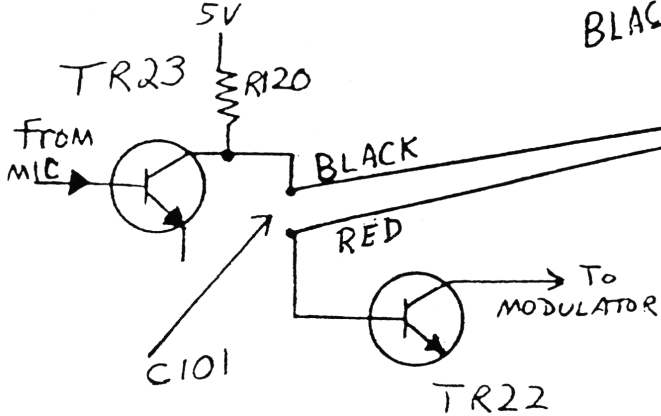


USB-1 HOOK UP TO COBRA 2000GTL w/BYPASS SWITCH

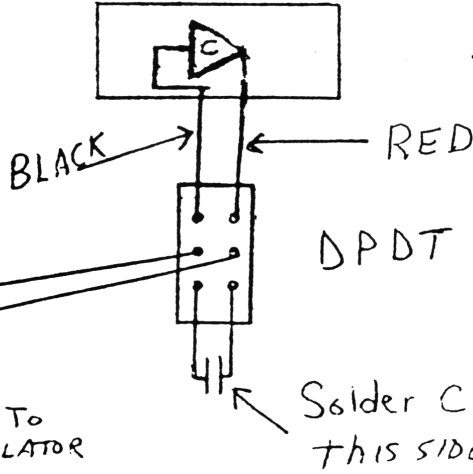
XMTR

1. REMOVE C101



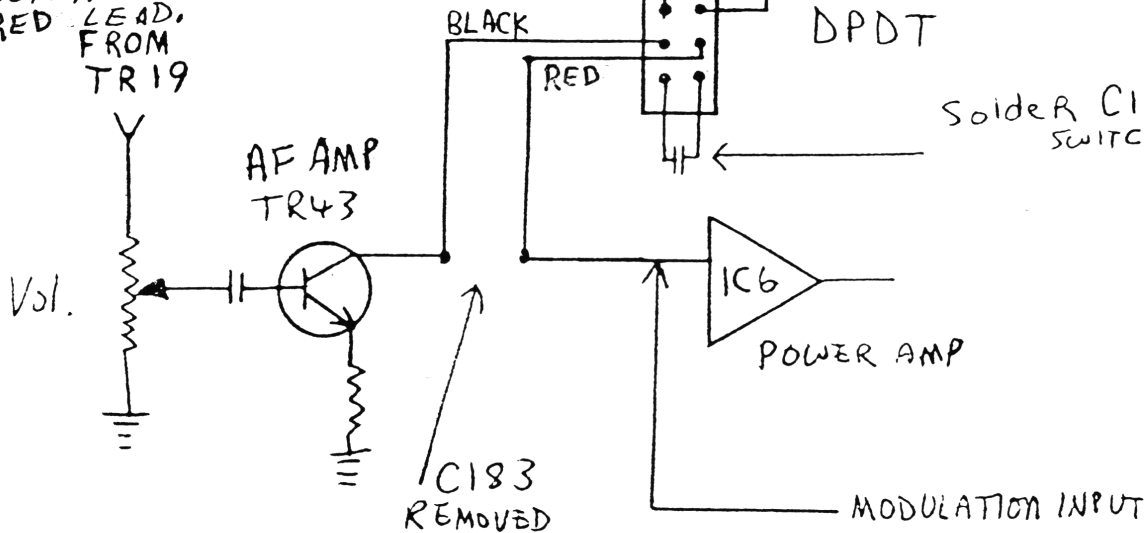
USB-1
COMPRESSOR

BLACK - INPUT
RED - OUTPUT



RECUR.

1. REMOVE C183
2. WIRE AS FOLLOWS
3. INSTALL IN914 AND 100K AS SHOWN IN RED LEAD FROM TR19



USB-1
EXPANDOR

This diode ACTS AS A SWITCH TO PREVENT MODULATION ON XMIT FROM SHORTING THRU EXPANDOR PORTION OF USB-1

