

## MIDLAND 13-862

RX: Peak T3,T4,T5, on 455KC for maximum.

Peak T1,T2,T18 for maximum.

R45 S Meter S9=100uV.

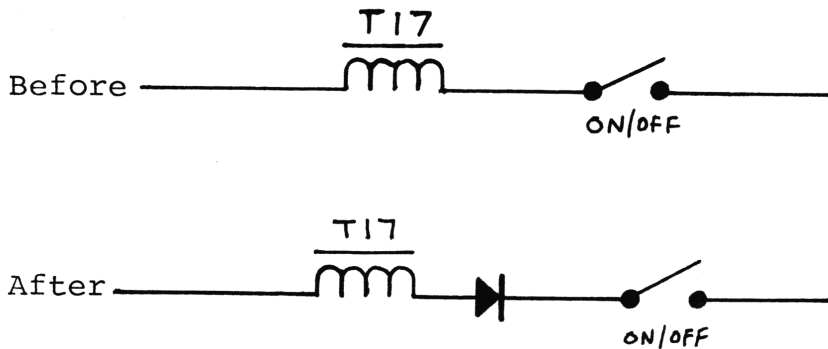
TX: Peak T7,T8,T9,T10,T11,T12,T13,T14,L3,C5.

C1,C2,L1 TVI filter

R3 RF Output Meter

R58 Modulation Adj.

No polarity Protection Diode. Unsolder wire from T17 to Power Switch. Install a HEPL70 (#99) silicon diode as shown:



X1,X2,X3,X4,X5,X6, can be switched for new channels.

37.395 gives 26.760,26.770,26.780,26.800.

37.400 gives 26.765,26.775,26.785,26.805.

37.450 gives 26.815,26.825,26.835,26.855.

37.500 gives 26.865,26.875,26.885,26.905.

37.550 gives 26.915,26.925,26.935,26.955.

37.900 gives 27.265,27.275, 27.285,27.305.

37.950 gives 27.315,27.325,27.335,27.355.

38.000 gives 27.365,27.375,27.385,27.405.

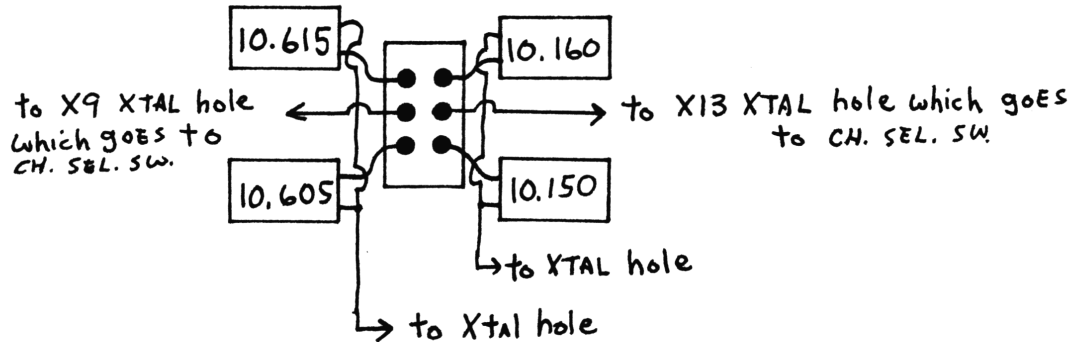
38.050 gives 27.415,27.425,27.435,27.455.

38.100 gives 27.465,27.475,27.485,27.505.

Kit #4 can be used to switch 4Xtals with one switch.

MIDLAND 13-862 continued:

X9 and X13 can be switched with 10.605 and 10.150 Xtals to get missed channels as shown.



MIKE WIRING: 4 Pin Locking Ring Type.

1. Audio hot (Red)
2. Shield
3. Xmit (Black)
4. REC (White)

NOTE: #99 and Kit #4 can be obtained direct from "Secret CB".