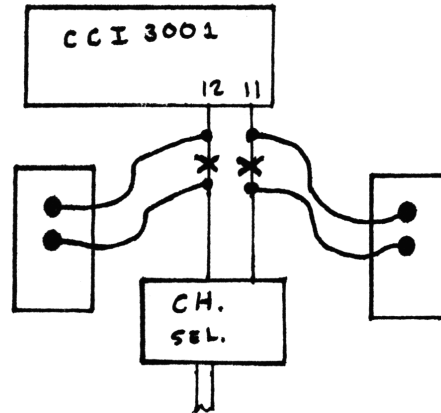


## ROYCE 642 (CCI 3001)

### FREQUENCY EXPANSION - UP TO 27.595

1. Cut the trace between collector of Q23 and pin 4 of IC8.
2. Cut trace between channel selector and pin 11 of IC9.
3. Cut trace between channel selector and pin 12 of IC9.
4. Wire two SPST Switches as shown:



### CLARIFIER:

1. Cut Green wire (from clarifier) at board (62) near D8 (located between T2 and T9). Ground this wire.
2. Cut White wire (from clarifier) at board (68) near D9 (located between T1 and Relay).
3. Solder one end of a 10K variable resistor to the emitter of Q18 (87). Solder other end to ground.
4. Solder the White wire to the wiper. Adjust pot for most "up" slide without "dropout".  
L10 is VCO; D19 is VCO Varactor.  
D13 is Varactor. A super slider can be connected in series with D13 or D13 may be replaced with a Super Diode.

### XMTR TUNE UP:

- VR11 is SSB ALC.  
VR7 is AM AMC (or remove Q16).  
Peak T8, L4, L3, L2, T9, L12.