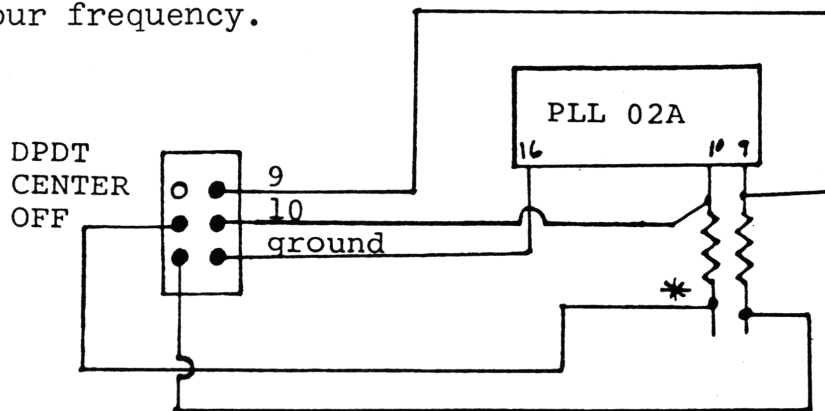


1. Cut board circuit traces at pins 9 & 10.
2. Add $3k \frac{1}{4}W$ resistors across cuts.
3. Obtain a DPDT Center Off switch and wire up as in diagram below.

Position 1 will give channels 26.435 (Ch.10) to 26.745 (Ch. 38).

Position 2 (Center) will be Normal channels.

Position 3 will render channels 26.755 (Ch. 10) to 27.065 (Ch. 38). Use Frequency Counter to verify your frequency.



The following can be done if you would like to be able to switch over to even channels, such as 26.750. Add a 10micro-henry choke and adjust trimmer to adjust for on-frequency operation. Switch to 0's or 5's with a SPST switch.

