

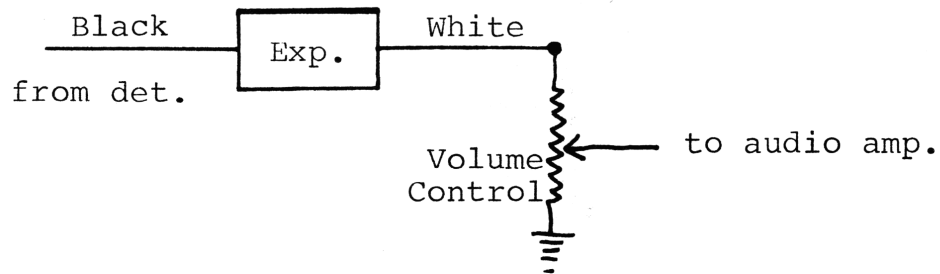
VSB-1 UPDATES

New GRANT and MADISON with MB8719 Chip

Disregard hookup instructions on page 15 of Volume 10.

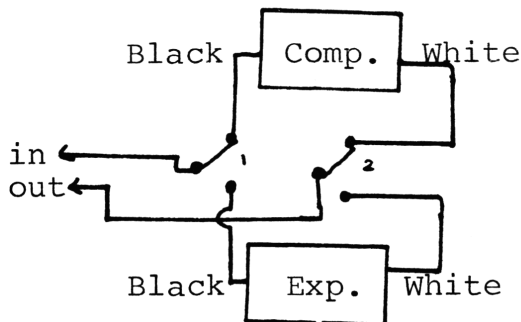
COMPRESSOR: Install in place of C99. Remove TR24.
Solder Black wire towards + side and
White wire towards TR21.

EXPANDOR: Install at Volume Control as illustrated
below:

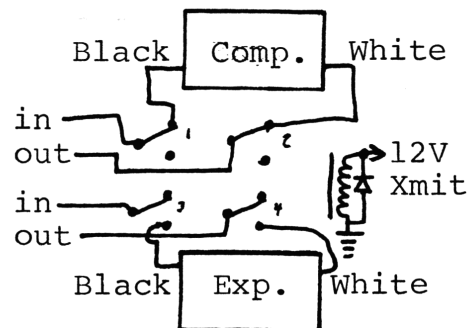


If the modulation and receive audio feed in at the same place or close together, it may be necessary to use a relay in order to prevent feedback. If this is necessary, we recommend the following procedural hook-up.

Same hook-in point



Different hook-in points

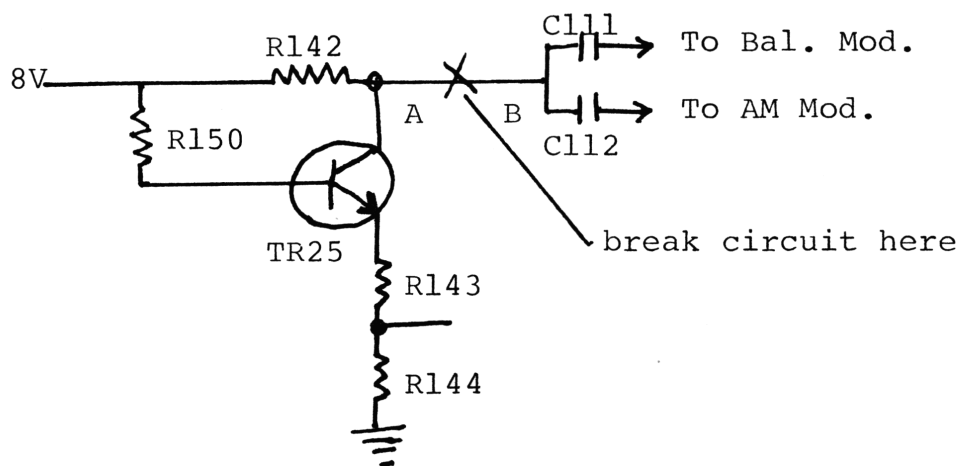


*Relay is 4PDT Radio Shack #275-214 12VDC @ 75ma. or equiv.

NEW VSB-1 HOOK UP INSTRUCTIONS

PRESIDENT AR144, COBRA 146GTL, & SEARS 663.3810

COMPRESSOR: Modify as shown:



Solder BLACK wire to point A above.

Solder WHITE wire to point B above.

CUT collector (middle lead) of TR27.

EXPANDER: Remove C139. Solder BLACK wire towards collector of TR36 and WHITE wire towards R181/C138.