

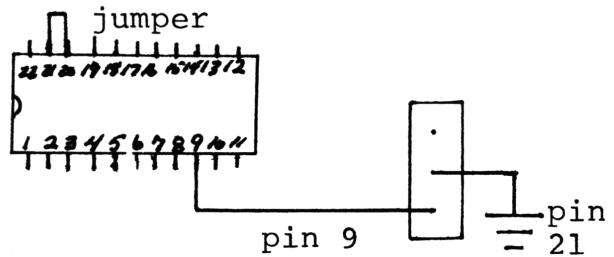
PRESIDENT AR144/COBRA 146GTL

(D2824 Chassis)

Here's the modification you've been waiting for!

1. Unsolder and remove IC2, D2824C PLL Chip.
2. Install and solder in new D2816C Chip.
3. Connect pin 20 to pin 21 (ground).
4. Install switch and wire as follows:

Run a wire from pin 9 to one side of the switch. Run another wire to center of switch and PC board ground.



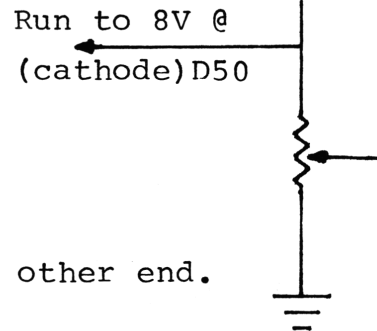
5. Adjust VCO Coil, L14. Without slide, you will get frequencies 27.420-27.860. Install slide to get 5's.

Clarifier Modifications-

1. Lift anode of D30, and connect Super Slide in series.

This gives 5Kc of Slide.

For 13Kc slide, change D30 to our Super Clarifier Diode.

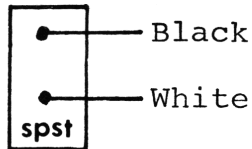
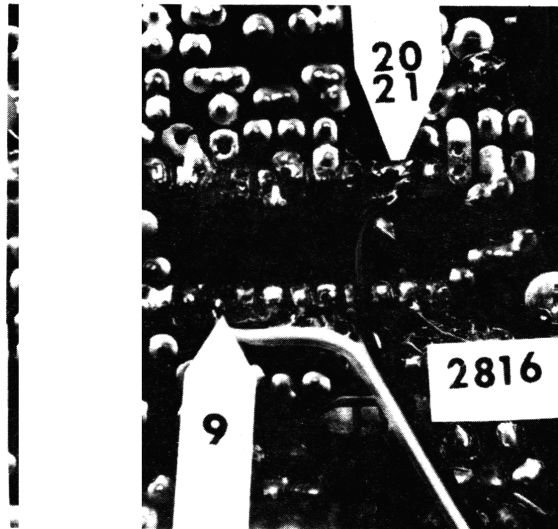


2. Connect control to 8V source. Ground other end.
3. Clip D32.

-Reference; Volume 10 pp. 41-42.

Picture below

location of pins 9, 20, and 21



Picture below panel to make

how to modify PC board on front
ier work on transmit as well.

