

SPECIFIC RADIO TUNE-UPS (Cont'd):

PRESIDENT AR-44

NOTE: Some units have '90 day wonders' on final and driver - change.

RX: VR2 - IF gain

VR4 - Squelch range

VR1 - S meter adjust

TX: Peak - L18, L17, L14, L10

VR3 - RF meter adjust

VR5 - AMC, Defeat C70 (lmf electrolytic)

NOTE: If you defeat, change R76 to 4.3K resistor.

REALISTIC TRC-204 (21-1633) WALKIE-TALKIE

RX: VR3 - Squelch range

TX: Switch to high power, peak in this order: T6, T7, L4, L5

Switch to low power - VR4, modulation adjust

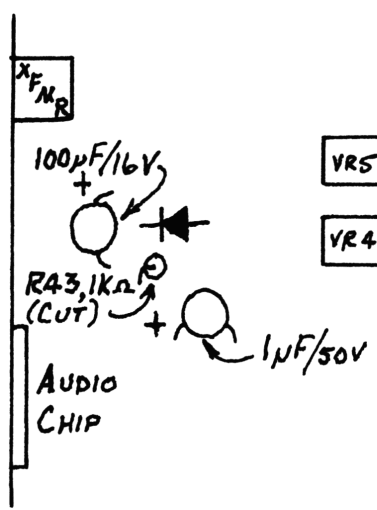
Switch to high power - VR5, modulation adjust

AMC Defeat - C52

You can push this one, as it has a 16W final.

REALISTIC TRC-200 (6 channel WALKIE-TALKIE) 21-184 (Update)

Some units have trouble getting modulation up. (Cut R43, 1K res.)



REALISTIC TRC-209 (40 Ch. WALKIE-TALKIE) 21-1660

This unit will do 8W dead key, with NI-CADS!

Check final & driver for '90 day wonders'; some units have them.

If you are going to defeat AMC, change final to 2SC1306.

RX: VR10 - AGC voltage (adj. for 1.95 - 2.0V at TP1.)

VR2 - Squelch range

VR1 - AGC

TX: Power Switch to high

Peak - T5, T6, T7, L4, L7, L8

VR9 - TX power adjust

VR6 - RF meter adjust

VR5 - AMC (turn CCW; should be sufficient at 90%; defeat - pull R41.)