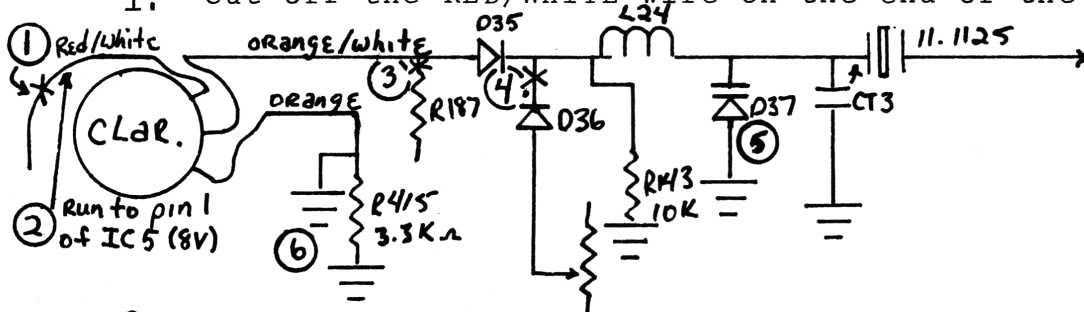


PRESIDENT WASHINGTON MB8719 (11.1125)

COBRA 140GTL AND 142GTL *For Cobra Radios reverse step #1 & 6. red wire to gnd and orange to 8v*

Clarifier- 3Kc ↓ 1Kc ↑

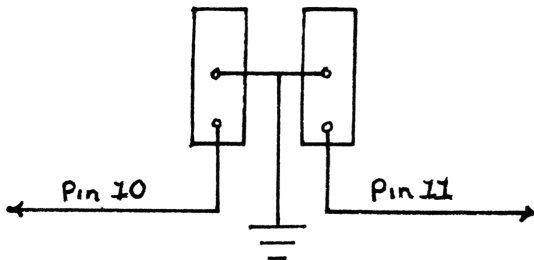
1. Cut off the RED/WHITE wire on the end of the clarifier.



2. Run a new wire from the pot to pin 1 of IC5. OR TO HOLE IN PCB NEXT TO R136
3. Clip R187.
4. Clip D36.
5. Replace D37 with a Super Clarifier Diode for more slide.
6. Ground the ORANGE wire.
L20 AM adjustment; L19 LSB; CT3 USB.

Channel Expansion-

1. Remove the 11.1125 Xtal (Note: if you want the LOW channel instead of the HI, skip steps one and two).
2. Solder in a 11.3258 Xtal.
3. Isolate pin 10 from ground.
4. Wire up two SPST switches as follows:



5. Refer to Standard Modification pages 25-27.

PRESIDENT WASHINGTON MB8719 (11.1125) (CONT)

L13 is VCO adjustment.
Readjust L26, L27, L28, L29, L36 as necessary for the
26.815-28.045 coverage.
Remove TR32.....AMC/ALC limiter.
Remove C81, near IC3.
Replace R84 with a 47K ohm resistor.
VR2.....SQ range.
VR1.....Signal meter.
RT301.....Voltage regulator.
VR12.....Modulation meter.
VR8.....35ma idle current for USB.
VR9.....45ma idle current for USB.
VR5.....Carrier balance.
VR10.....AM power.

PRESIDENT McKINLEY (1011001) 8719 w/11.1125

Channel Modification- use update in this volume, pages 25-27.

Clarifier-

1. Remove R415 and install a jumper in it's place.
2. Clip R187.
3. Clip D36.
4. Remove C132, if present.
5. For more slide, install a Super Clarifier Diode at D37.
6. Cut the ORANGE wire off of the Clarifier.
7. Run a new wire from the Clarifier to pin 1 of IC5, CT3,
USB; L20 AM; L19 LSB. Widebanding: Remove C81; Change
R84 to a 47K ohm resistor. Readjust VR5 for carrier null
on SSB. Remove TR32 for maximum modulation. VR6 is
for AM Power. The VCO is L13.