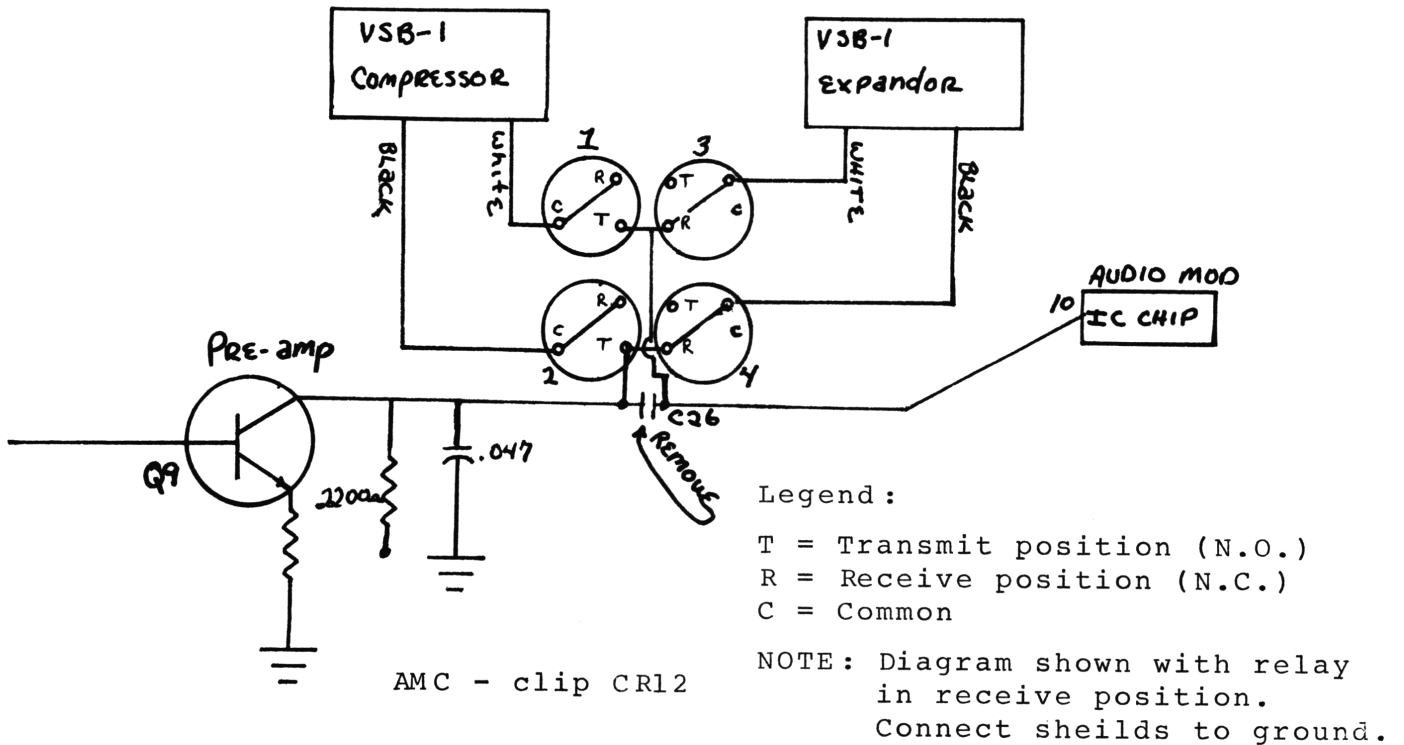


SPECIFIC INSTALLATION INSTRUCTIONS (CONT)

FOR VSB-1

JOHNSON 4120 (cont)



KRACO KCB2340 -

Compressor- Remove C234. Install BLACK lead in hole towards pin 6 of IC1 and WHITE lead towards R231. Clip D206.

Expander- Remove C119. Install BLACK lead to positive side, WHITE lead towards RF C6.

PREAMP RECOMMENDED

MIDLAND 13-864

Compressor- Remove C32. Install BLACK lead towards R35 and WHITE lead towards R39.

Expander- Remove C33. Insert BLACK lead towards R38, and the WHITE lead towards R39.

NO PREAMP