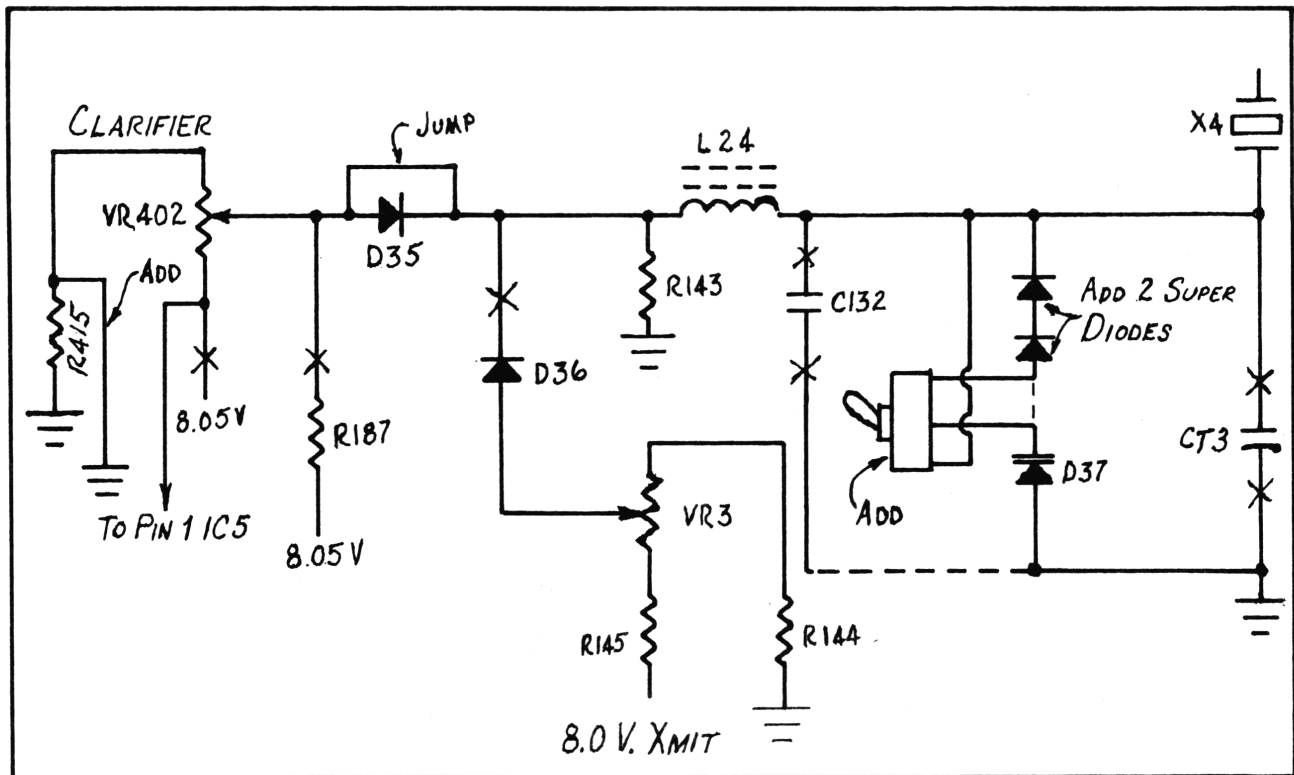
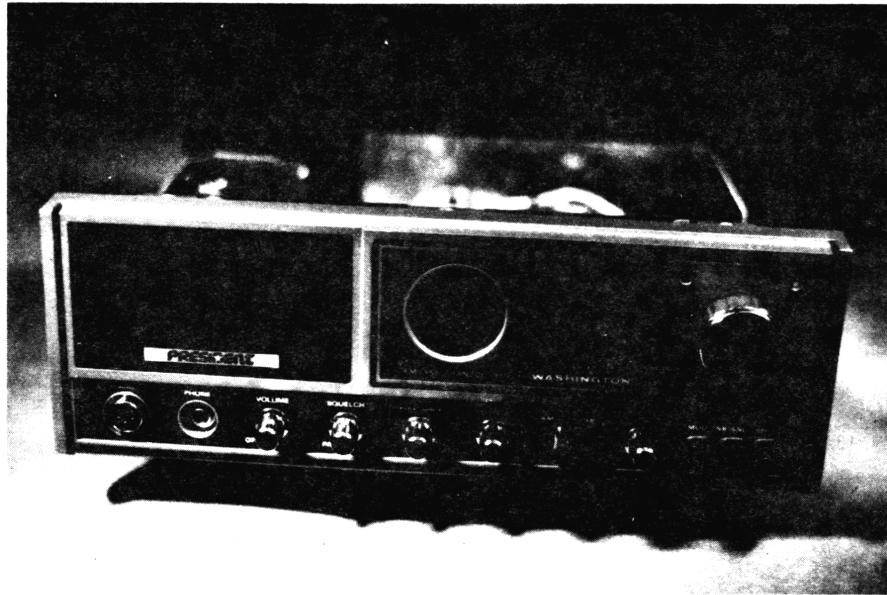


# DUAL RANGE SLIDER FOR PRESIDENT WASHINGTON (NEW)

NOTE: WILL ALSO WORK ON OTHER RADIOS WITH SIMILAR CHASSIS.



DUAL RANGE SLIDER FOR PRESIDENT WASHINGTON (NEW) (CONT'D)

The slide will operate as follows:

Position A:

Slide 10KHz: +4 -6

Center slot is same as channel indicated by radio's LED indicator.

Position B:

Slide 50KHz: +20 -30

Center slot is 20KHz below channel indicated by radio's LED indicator.

A 20K, 10 turn clarifier pot (available from Secret CB) was installed in place of VR402, as 50KHz is impractical on the stock pot. Also available from Secret CB are the Super Diodes and Super Slide components shown above.

SLIDE MODIFICATION FOR PRESIDENT GRANT (NEW)

